

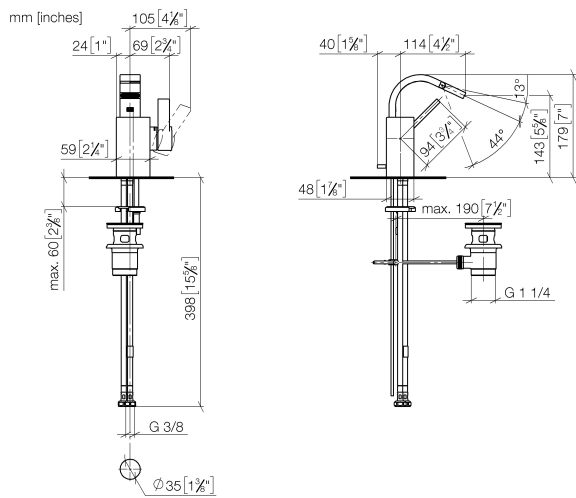
33 600 782 Product version from 3/10/2014 to 3/20/2019



- 110mm projection
- ball-joint pivotable through 44°
- rectangular, air-enriched flow
- height of mixer 180 mm
- height up to aerator 140 mm
- hole diameter 35 mm
- 2x screw-in M 10 x 1 pressure hose, leak-tested
- max. flow 6 l/min
- WRAS

	Brushed Dark Platinum	33 600 782-99
	Chrome	33 600 782-00
	Brushed Platinum	33 600 782-06
	Platinum	33 600 782-08
	Dark Chrome	33 600 782-19
	Brushed Light Gold (PVD)	33 600 782-27
	Brushed Durabronze (23kt Gold)	33 600 782-28
	Brushed Gold (PVD)	33 600 782-37
	Brushed Dark Brass (PVD)	33 600 782-39
	Brushed Bronze (PVD)	33 600 782-42
	Brushed Dark Bronze (PVD)	33 600 782-43
	Brushed Champagne (22kt Gold)	33 600 782-46
	Champagne (22kt Gold)	33 600 782-47

33 600 782 Product version from 3/10/2014 to 3/20/2019



Flow rate chart



Codes & Standards

DIN 4109

ISO 3822

Scottish Water  
Byelaws

UK Water Supply  
Regulations

Ü-Zeichen



## Single-lever bidet mixer with pop-up waste - Brushed Dark Platinum

SERIES SPECIFIC

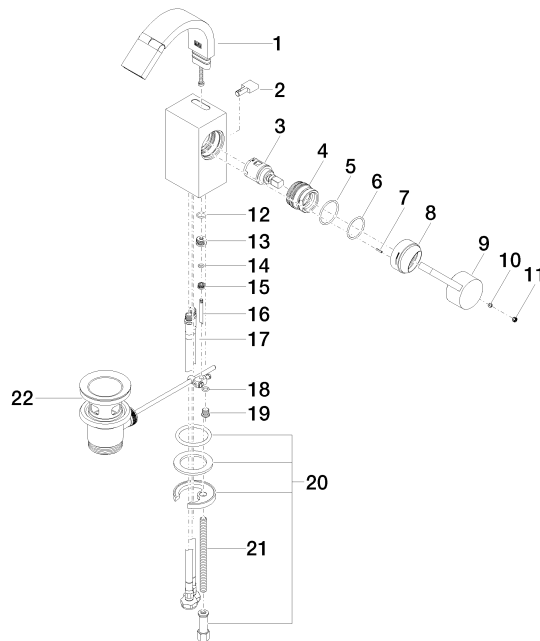
33 600 782 Product version from 3/10/2014 to 3/20/2019

### Certificates and sustainability

LGA_28	WRAS_240202	EPD-DOR-20230287 -IBA1-EN Environmental.prod uct-declarat
--------	-------------	--

33 600 782 Product version from 3/10/2014 to 3/20/2019

Parts for other  
finishes can be found  
here: [Chrome](#)



33 600 782 Product version from 3/10/2014 to 3/20/2019

Spare parts list

No.	Item Number	Name	Quantity used	Delivery time
18	09 14 10 132 90	O-Ring EPDM 70 6,0 x 1,5 mm -	1.00	14
4	09 24 04 288 90	Mounting Nut Ø 34 x 26,5 mm -	1.00	14
2	09 20 78 032-99	Pull button 6 x 15 x 30 mm - Brushed Dark Platinum	1.00	40
19	09 31 20 027 10-00	Plug M8 x 1 - Chrome	1.00	20
6	90 14 10 063 00 90	O-Ring EPDM 70 26,0 x 2,0 mm -	1.00	14
14	09 14 10 166 90	O-Ring NBR 70 4,1 x 1,6 mm -	1.00	14
17	04 30 04 104 00 90	High pressure hose M10x1 x 3/8" x 420 mm -	2.00	14
3	90 15 05 042 00 90	Cartridge Ø 25 x 52 mm -	1.00	14
7	09 31 11 152 90	Roll pin Lightweight type slotted Ø 2 x 10 mm -	1.00	14
13	09 24 04 289-99	Nipple Ø 13 x 7,5 mm - Brushed Dark Platinum	1.00	40
1	90 28 22 265 00-99	Spout 35 x 125 x 128 mm - Brushed Dark Platinum	1.00	40
10	90 31 11 063 00 90	Mounting Threaded pin with hexagon socket with cup point M5 x 4 mm -	1.00	14
20	04 30 11 038 75 90	Mounting with O-ring Ø36 x 4mm Ø 52 x 1,5 mm -	1.00	14
11	90 31 20 109 00 90	Plug -	1.00	14
15	09 24 04 290 90	Nipple Ø 9 x 5 mm -	1.00	14
22	90 11 01 001 00-99	Basin Waste - Brushed Dark Platinum	1.00	40
16	09 31 09 080-99	Pull rod for pop-up waste Ø 4 x 400 mm - Brushed Dark Platinum	1.00	40
5	09 14 10 137 90	O-Ring EPDM 70 29,0 x 2,0 mm -	1.00	14
12	09 14 10 042 90	O-Ring EPDM 70 9,0 x 1,5 mm -	1.00	14
21	09 31 11 012 90	Mounting Threaded bolt M8 x110 mm -	1.00	14
9	09 20 78 057-99	Handle Lever 24 x 41 x 96 mm - Brushed Dark Platinum	1.00	40
8	09 28 30 028-99	Cover Ø 40 x 24 mm - Brushed Dark Platinum	1.00	40