

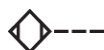
Presence detector, dual tech, PIR+HF, 230 V, master, 40 m / 12 m, IP54, for surface mounting, white

351-25475

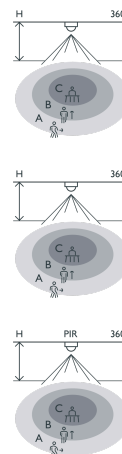


4 year warranty

230 V	master	IP54	N.O., potential-free	5 lx – 2,000 lx	360°	ø 40 m from a height of 3 m
2 m – 4 m	surface-mounting					



Detection range



PIR HF	A Across	B Towards	C Presence
2 m	ø 40 m	ø 20 m	ø 5 m
2.5 m	ø 40 m	ø 20 m	ø 6 m
3 m	ø 40 m	ø 20 m	ø 7 m
3.5 m	ø 30 m	ø 15 m	ø 6 m
4 m	ø 20 m	ø 10 m	ø 6 m

Stand-alone intelligent presence detector for ceiling mounting, ideal for offices. Suitable for switching indoor lighting. Rapid detection of even the slightest movements, thanks to passive infrared (PIR) and High Frequency (HF) technology. Presence detection behind office partitions by means of HF detection. The detector offers five possible combinations of the two technologies. Equipped with an integrated light sensor.

Colour: white

Compatible secondary detectors: 351-25459, 351-25469

Compatible master detectors:

- The presence detector for zones where detection is difficult.
- The double technology makes it possible to fully set the detector in accordance with the prevailing conditions.
- Five possible combinations of the two technologies

o option 1: on/off in accordance with the PIR detection only

o option 2: on/off in accordance with the HF detection only

o option 3: on/off if PIR or HF detects something

o option 4: on/off if PIR and HF detect something

PIR	HF	PIR+HF	PIR+HF+Light
On	On	On	On
On	Off	On	On
Off	On	On	On
Off	Off	Off	On

o option 5: on in accordance with PIR, off if both PIR and HF no longer detect anything

- Large detection range
- Separate setting for the lux, the delay, the sensitivity and the

technology

Presence technology for toilets, workshops, etc.

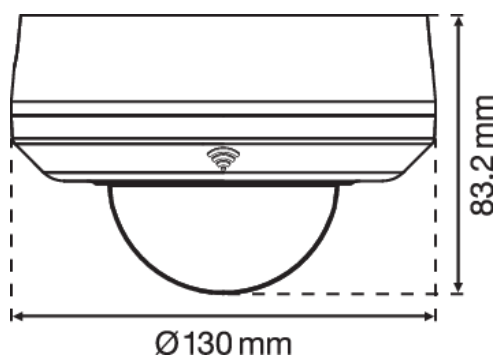
- You can programme it manually or using the optional remote control
- You can programme it as a presence or absence detector.

o Absence: you must turn the lighting on using a push button. It turns off automatically if the detector detects sufficient daylight or if it no longer detects any motion.

Technical features

Compatible secondary detectors	351-25459, 351-25469
Configuration	master
Input voltage	230 Vac
Detector output	230 V (ON/OFF)
Maximum current consumption	5.65 mA
Switch-off delay	pulse, 10 sec – 1,200 sec
Maximum MCB rating	-10
Detection angle	360 °
Detection range (PIR)	ø 40 m from a height of 3 m
Minimum ambient temperature	-20 °C
Maximum ambient temperature	+45 °C
Mounting method	surface mounting
Mounting height	2 m – 4 m
Colour	white
Dimensions (HxWxD)	129 mm x 129 mm x 83 mm
Protection degree standalone	IP54
Impact resistance	IK02
Modification of settings	Potentiometers or IR remote control

Dimensions



Wiring diagram

