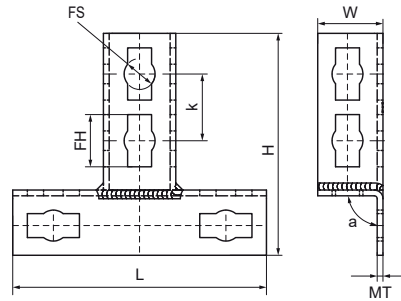
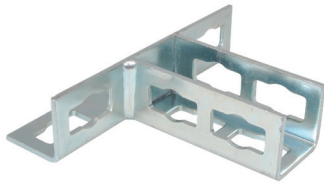


Walraven PushStrut T-Connector

(H2925)

for easy installation of complex rail constructions



Features & benefits

- easily combined with all common Walraven RapidStrut® profiles
- stable T-connection due to lateral edges
- flexible use of hole pattern (flexible twist of hole pattern possible)
- timesaving and flexible
- easy to remove and reusable
- 3D constructions due to 3D Connectors
- material: steel
- zinc plated

Product Number	For Rail Type	Angle	Total Height	Total Width	Total Length	Material Thickness	Width	Fixing Hole	Fixing Slot	Heart To Heart Distance	Torque Moment For Installation
<i>Reference Letter</i>		<i>a</i>	<i>H</i>	<i>W</i>	<i>L</i>	<i>MT</i>	<i>w</i>	<i>FH</i>	<i>FS</i>	<i>k</i>	<i>T inst.</i>
<i>Unit description</i>		°	mm	mm	mm	mm	mm	mm	mm	mm	Nm
6594020	41x21, 41x41, 41x51, 41x62, 41x82	90	153	45	175	4.00	41	21.3	36x16,5	46	40