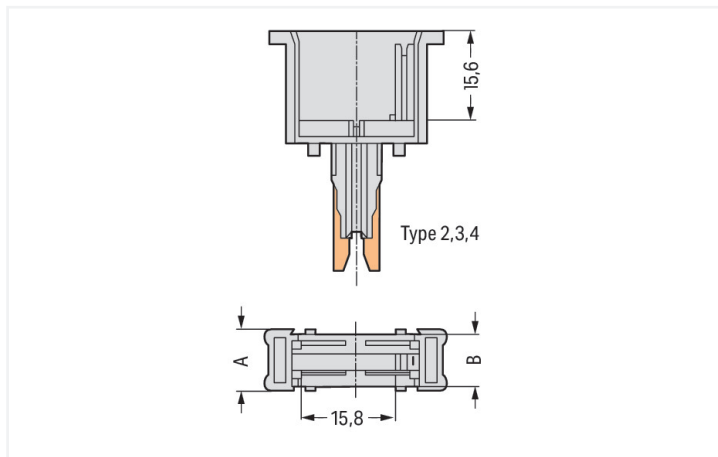
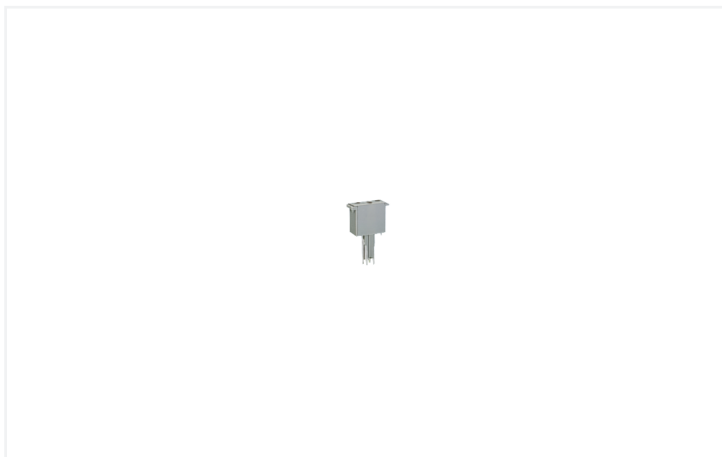


Data Sheet | Item Number: 280-804

Empty component plug housing; 10 mm wide; Type 3; 4-pole; gray

<https://www.wago.com/280-804>



Color: ■ gray

Dimensions in mm

Type	1	2	3	4
A	5	10	10	10
B	3.2	8.2	8.2	8.2

Empty component plug housing, type 3

Note

Note Plug inside dimensions: W/H/L (8.2/15/15) mm

Electrical data

Rated continuous current 6 A

Safety and protection

Rated Voltage	250 V
Rated impulse withstand voltage	4 kV
Pollution degree	3

Connection Data

Pole number	4
-------------	---

Physical data

Width	10 mm / 0.394 inches
-------	----------------------

Mechanical data

Housing design	Plug for carrier terminal blocks
Mounting type	Pluggable module for carrier terminal block

Material data

Color	gray
-------	------

Commercial data

Product Group	1 (Rail Mounted Terminal Blocks)
PU (SPU)	50 pcs
Packaging type	Box
Country of origin	DE
GTIN	4044918270434
Customs tariff number	85366990990

Product Classification

UNSPSC	39121402
eCl@ss 10.0	27-14-11-49
eCl@ss 9.0	27-18-27-02
ETIM 9.0	EC002018
ETIM 10.0	EC002018
ECCN	NO US CLASSIFICATION

Environmental Product Compliance

RoHS Compliance Status	Compliant, No Exemption
------------------------	-------------------------

Downloads

Environmental Product Compliance

Compliance Search

Environmental Product
Compliance 280-804



CAD/CAE-Data

CAD data

2D/3D Models 280-804



CAE data

WSCAD Universe
280-804

