

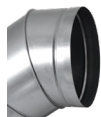
Segmented bends with gaskets

BSL-90



Description

Segmented bends are designed for building ventilation systems based on SPIRAL ducts and plain ducts. They are made of 4 segments; bends in diameters of DN 1120 mm and greater are composed of 5 segments. The segments are fastened by hemming and seaming. The inside surface of the hemmed seams is sealed, and as a result of the double EPDM gaskets, this solution provides air tightness class D according to EN 12237 for ventilation and recuperation systems. The piece is connected with a duct by inserting one into the other. The pieces can be made of 1.4404 stainless steel sheet for ventilation systems in swimming pools.



There is also available version with a female end - **BSFL** code or with two female ends - **BSFF** code.

Available materials - Product code example

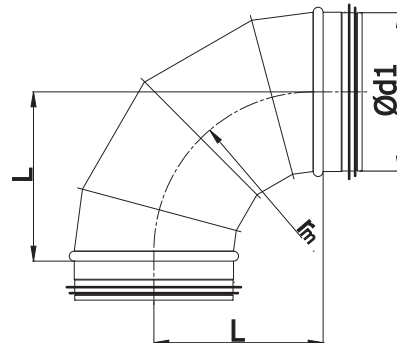
BSL-... -90 - galvanized steel sheet
 BSL-K-... -90 - 1.4301/304 stainless steel sheet
 BSL-K-... -90-316L - 1.4404/316L stainless steel sheet, molybdenum-enriched
 BSL-A-...-90 - AW-1050A H24 aluminium sheet
 BSL-CU-...-90 - M1E z4 copper sheet

Product code example

Product code: **BSL - aaa - 90**

type _____
 $\text{\O}d_1$ _____
 angle _____

Dimensions



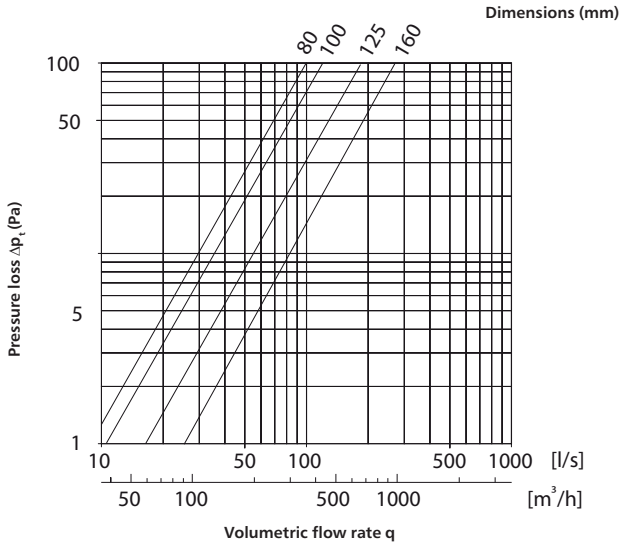
$$r_m \approx 1 \times d_1$$

$\text{\O}d_{1, \text{nom}}$ (mm)	L (mm)	Weight (kg)
200	200	1.10
224	224	1.32
250	250	1.63
280	280	2.03
300	300	2.30
315	315	2.50
355	355	3.73
400	400	5.10
450	450	8.00
500	500	9.60
560	560	11.80
600	600	13.30
630	630	14.50
710	710	22.40
800	800	28.00
900	900	34.60
1000	1000	43.00
1120	1120	59.80
1250	1250	73.00
1400	1400	90.00
1500	1500	103.40
1600	1600	116.60

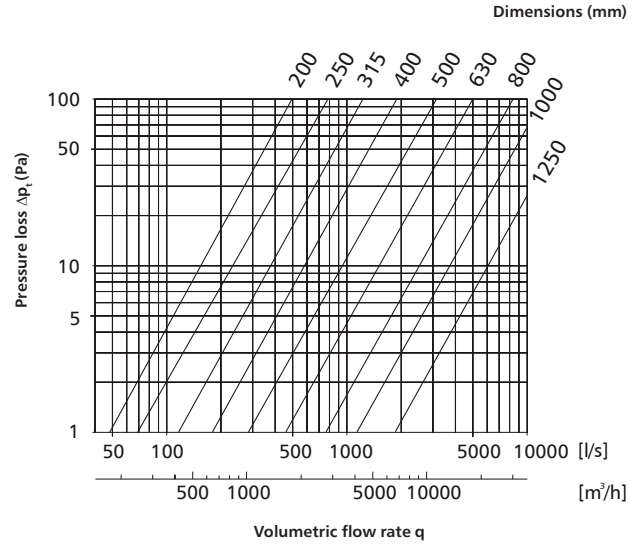
Technical specifications for 90° pressed and segmented bends **BPKL/BPL/BPDL/BSKL/BSL/BSDL**

Technical specifications

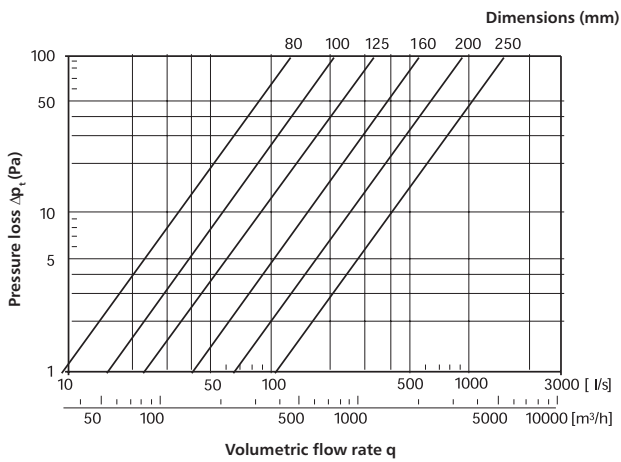
Flow chart for BPKL-90/BPK-90/BPKFL-90/BPKF-90



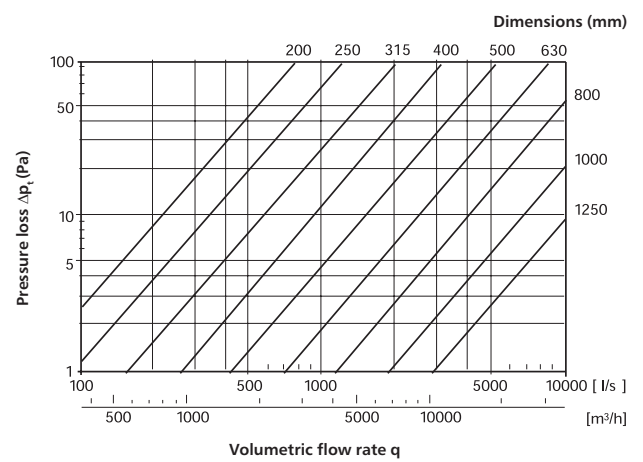
Flow chart for BSKL-90/BSK-90



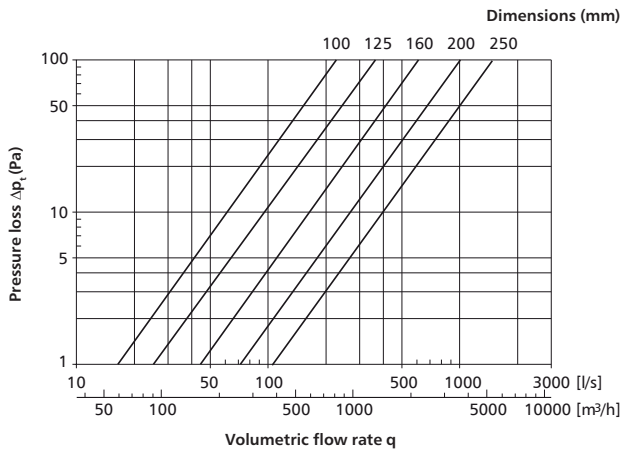
Flow chart for BPL-90/BP-90/BPL-K-90/BP-K-90



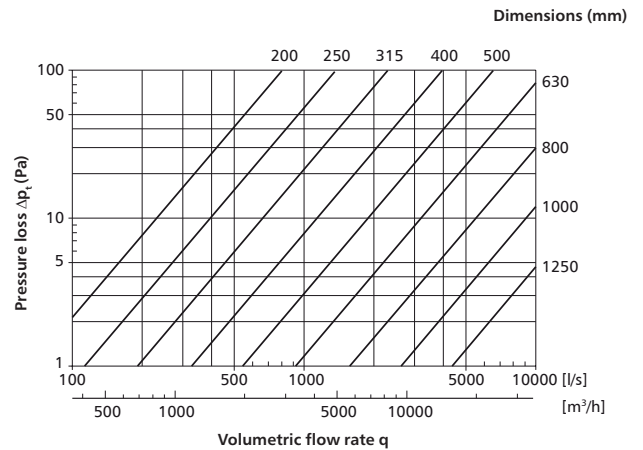
Flow chart for BSL-90/BS-90



Flow chart for BPDL-90/BPD-90



Flow chart for BSDL-90/BSD-90



Segmented bends with gaskets

BSL-45



Description

Segmented bends are designed for building ventilation systems based on spiral ducts and plain ducts. The inside surface of the hemmed seams is sealed, and as a result of the double EPDM gaskets, this solution provides air tightness class D according to EN 12237 for ventilation and heat recuperation systems. The piece is connected with a duct by inserting one into the other. The pieces can be made of 1.4301 stainless steel sheet for ventilation systems in swimming pools.



There is also available version with a female end - **BSFL** code
or with two female ends - **BSFF** code

Available materials - Product code example

- BSL-... -45 - galvanized steel sheet
- BSL-... -45-K - 1.4301/304 stainless steel sheet
- BSL-... -45-K-316L - 1.4404/316L stainless steel sheet, molybdenum-enriched
- BSL-... -45-ALU - AW-1050A H24 aluminium sheet
- BSL-... -45-CU - M1E z4 copper sheet

Product code example

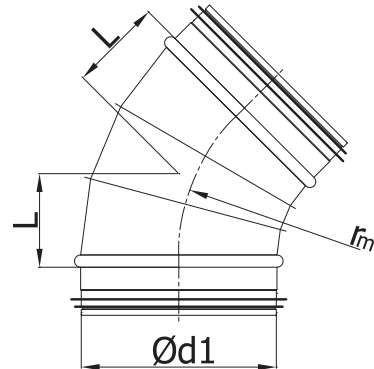
Product code: **BSL - aaa - 45**

type _____

Ød₁ _____

angle _____

Dimensions



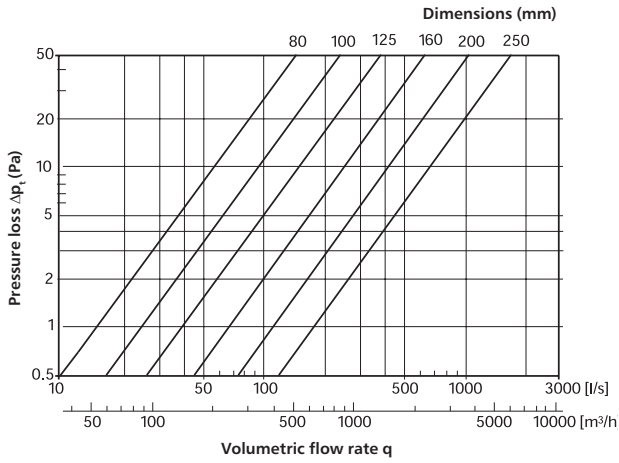
$$r_m \approx 1 \times d_1$$

Ød _{1 nom} (mm)	L (mm)	Weight (kg)
200	83	0.65
224	93	0.78
250	104	0.96
280	116	1.18
300	124	1.33
315	130	1.44
355	145	2.11
400	162	3.07
450	186	4.75
500	204	5.60
560	232	6.80
600	249	7.65
630	261	8.30
710	294	12.90
800	331	15.80
900	373	19.40
1000	414	24.00
1120	464	33.00
1250	518	40.00
1400	578	48.80
1500	621	55.60
1600	663	62.40

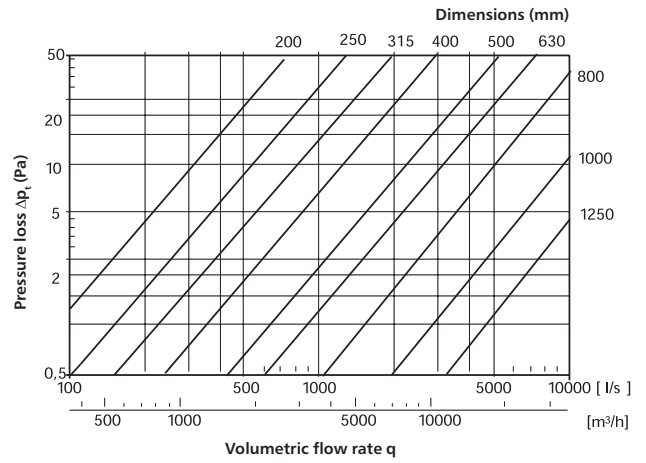
Technical specifications for 45° pressed and segmented bends **BPL/BP/BPL-K/BP-K/BPDL/BPD/BSL/BS**

Technical specifications

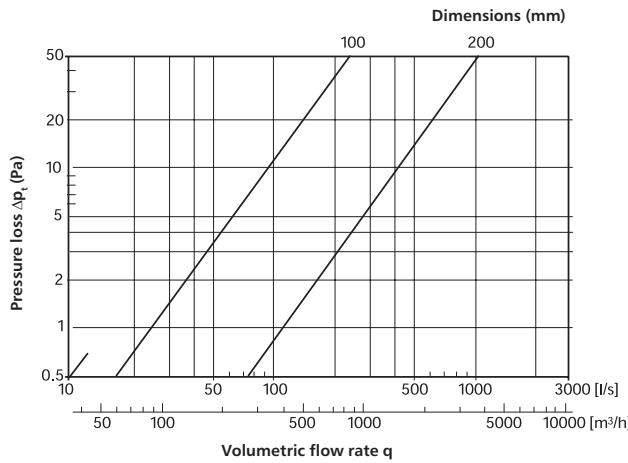
Flow chart for BPL-45 / BP-45



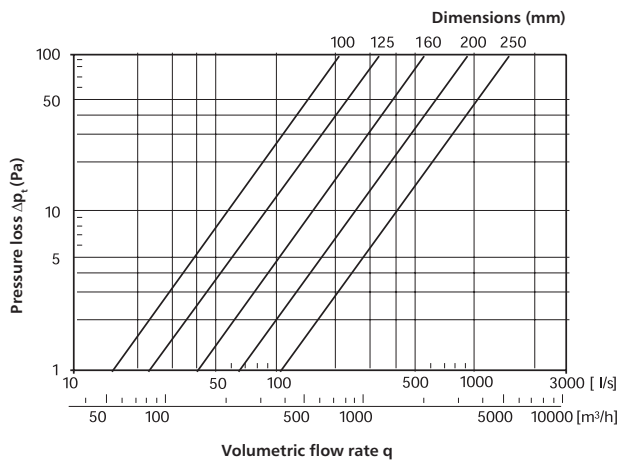
Flow chart for BSL-45 / BS-45



Flow chart for BPL-K-45 / BP-K-45



Flow chart for BPDL-45 / BPD-45



Segmented bends BSL-30/BS-30



Description

Segmented bends are designed for building ventilation systems based on SPIRAL ducts and plain ducts. BSL bends feature sealed inside surfaces of the hemmed seams and double EPDM gaskets to provide air tightness class D according to EN 12237 for ventilation and recuperation systems. The piece is connected with a duct by inserting one into the other. Bending angles from 5 to 85 degrees are available on request.



There is also available version with a female end - **BSFL** code or with two female ends - **BSFF** code.

Available materials - Product code example

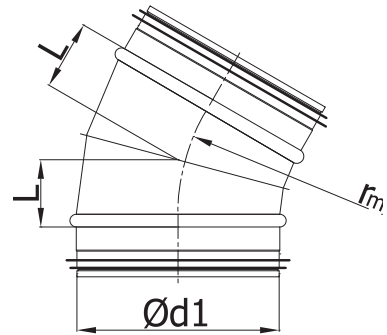
- BSL-... -30 - galvanized steel sheet
- BSL-K-... -30 - 1.4301/304 stainless steel sheet
- BSL-K-... -30-316L - 1.4404/316L stainless steel sheet, molybdenum-enriched
- BSL-A-... -30 - AW-1050A H24 aluminium sheet
- BSL-CU-... -30 - M1E z4 copper sheet

Product code example

Product code: **BSL - aaa- 30**

type _____
 $\varnothing d_1$ _____
 angle _____

Dimensions



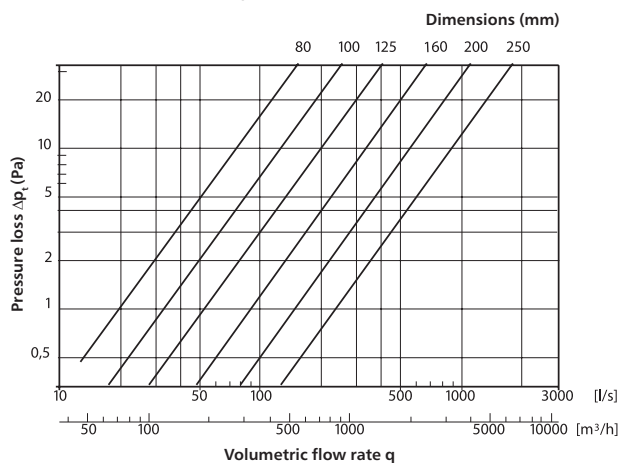
$$r_m \approx 1 \times d_1$$

$\varnothing d_{1 \text{ nom}}$ (mm)	L (mm)	Weight (kg)
200	55	0.48
224	58	0.57
250	67	0.71
280	75	0.86
300	80	0.96
315	84	1.04
355	95	1.52
400	107	2.33
450	122	3.50
500	135	4.20
560	151	5.00
600	162	5.60
630	170	6.10
710	192	9.60
800	216	11.60
900	243	14.10
1000	270	17.70
1120	302	24.00
1250	338	28.90
1400	376	35.80
1500	402	40.30
1600	430	44.30

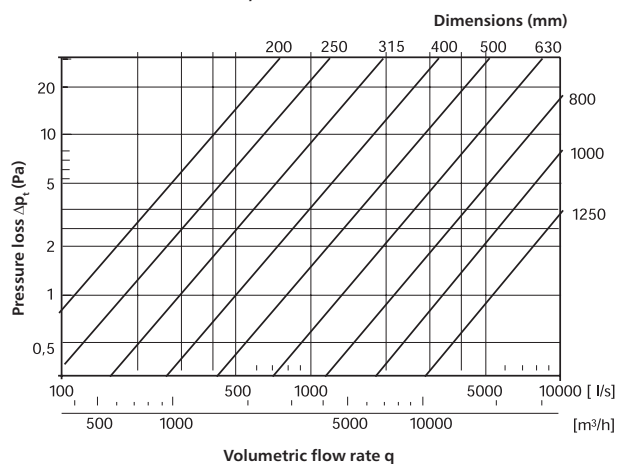
BPL/BP/BSL/BS/

Technical specifications

Flow chart for BPL-30 / BP-30



Flow chart for BSL-30 / BS-30



Segmented bends

BSL-15/BS-15



Description

Segmented bends are designed for building ventilation systems based on SPIRAL ducts and plain ducts. BSL bends feature sealed inside surfaces of the hemmed seams and double EPDM gaskets to provide air tightness class D according to EN 12237 for ventilation and recuperation systems. The piece is connected with a duct by inserting one into the other. Bending angles from 5 to 85 degrees are available on request.



There is also available version with a female end - **BSFL** code or with two female ends - **BSFF** code.

Available materials - Product code example

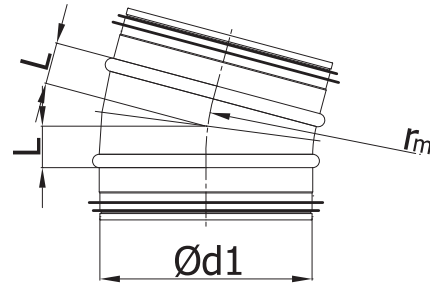
- BSL-... -15 - galvanized steel sheet
- BSL-K-... -15 - 1.4301/304 stainless steel sheet
- BSL-K-... -15-316L - 1.4404/316L stainless steel sheet, molybdenum-enriched
- BSL-A-... -15 - AW-1050A H24 aluminium sheet
- BSL-CU-... -15 - M1E z4 copper sheet

Product code example

Product code: **BSL - aaa- 15**

type _____
 $\varnothing d_1$ _____
 angle _____

Dimensions



$$r_m \approx 1 \times d_1$$

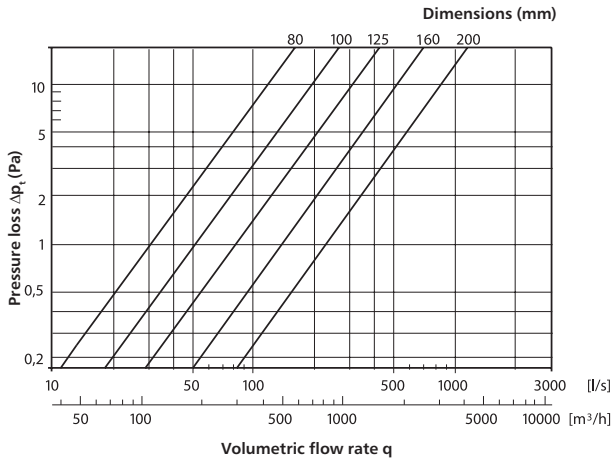
$\varnothing d_{1 \text{ nom}}$ (mm)	L (mm)	Weight (kg)
200	40	0.35
224	43	0.40
250	45	0.50
280	45	0.60
300	50	0.67
315	50	0.71
355	50	1.02
400	53	1.70
450	59	2.55
500	68	2.90
560	73	3.50
600	79	3.80
630	83	4.10
710	93	6.50
800	105	7.80
900	118	9.30
1000	132	11.60
1120	147	15.50
1250	165	18.40
1400	185	21.90
1500	198	24.40
1600	212	27.10

Technical specifications for 15° pressed and segmented bends

BPL/BP/BSL/BS

Technical specifications

Flow chart for BPL-15 / BP-15



Flow chart for BSL-15 / BS-15

