

# Motion detector, 230 V, 26 m, round, for flush-mounting box

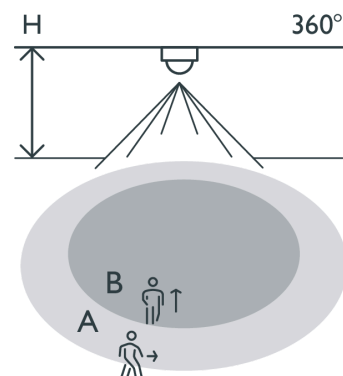
351-25065

CE

4 year warranty



## Detection range



The motion detector with one channel for flush-mounting in ceilings is suitable for switching indoor lighting on and off. You can always activate the light with a N.O. push button (230 Vac) (to be ordered separately). The detector is equipped with an integrated light sensor.

Colour: white

Compatible secondary detectors:

Compatible master detectors:

- The presence detector for each large room
- Can be placed at a height of up to 8 metres
- Separate setting for the lux, the switch-off delay and the sensitivity
- Low consumption (0.25 W)
- Surface-mounting boxes available separately

The motion detector for large meeting rooms, hangars, etc.

- The lighting remains on while there is motion
- You can programme it manually or using the optional remote control
- You can always be certain of excellent detection thanks to the three PIR sensors.

H	A Across	B Towards
2 m	ø 20 m	ø 10 m
3 m	ø 26 m	ø 13 m
4 m	ø 28 m	ø 14 m
5 m	ø 30 m	ø 15 m
6 m	ø 30 m	ø 15 m
7 m	ø 30 m	ø 15 m
8 m	ø 30 m	ø 15 m

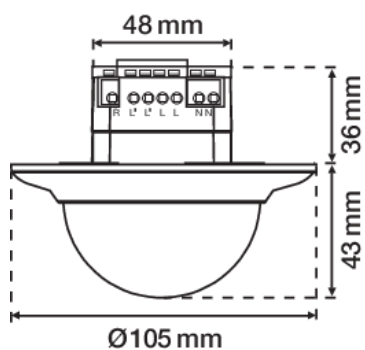
## Technical features

Configuration	stand-alone
Input voltage	230 Vac
Detector output	230 V (ON/OFF)
Maximum current consumption	3.91 mA
Switch-off delay	pulse, 10 sec – 1,200 sec
Maximum power consumption	0.9 W
Maximum MCB rating	-10
Detection angle	360 °
Detection range (PIR)	Ø 26 m from a height of 3 m
Minimum ambient temperature	-20 °C
Maximum ambient temperature	+40 °C
Mounting method	flush-mounting box
Mounting height	2 m – 8 m
Colour	white
Dimensions visible (HxWxD)	105 mm x 105 mm
Dimensions (HxWxD)	105 mm x 105 mm x 79 mm
Protection degree standalone	IP20
Impact resistance	IK02
Modification of settings	Potentiometers or IR remote control

## Accessories

350-41936	Universal remote control for smartphone
351-25320	IR remote control
351-25310	IR remote control for users

## Dimensions



## Wiring diagram

