

Single-lever bath mixer with stand pipe for free-standing assembly with hand shower set - Brushed Platinum

SERIES SPECIFIC

25 863 661 Product version from 10/1/2023



- spout: circular, air-enriched flow
- max. flow 19.5 l/min at 3 bar flow pressure
- Hand shower: COMPACT RAIN, max. flow rate 6.8 l/min (at 3 bar)
- bar-type hand shower with anti-scale system
- pivotable spout 360°
- 281mm projection
- wall bracket
- automatic bath/shower diverter
- total height 1031 - 1101 mm
- stand pipe height 565 - 635 mm
- height up to aerator 899 – 969 mm
- slide-on rosettes Ø 135 mm
- metal shower hose 1250mm with integrated anti-twist protection
- WRAS

Intrinsic protection against back flow.

Intrinsic protection against back flow.

	Brushed Platinum	25 863 661-06
	Chrome	25 863 661-00
	Dark Chrome	25 863 661-19
	Light Gold (PVD)	25 863 661-26
	Brushed Light Gold (PVD)	25 863 661-27
	Brushed Durabronze (23kt Gold)	25 863 661-28
	Matte Black	25 863 661-33
	Brushed Gold (PVD)	25 863 661-37
	Brushed Dark Brass (PVD)	25 863 661-39
	Brushed Bronze (PVD)	25 863 661-42
	Brushed Dark Bronze (PVD)	25 863 661-43
	Brushed Champagne (22kt Gold)	25 863 661-46
	Champagne (22kt Gold)	25 863 661-47
	Brushed Chrome	25 863 661-93
	Brushed Dark Platinum	25 863 661-99

Required miscellaneous

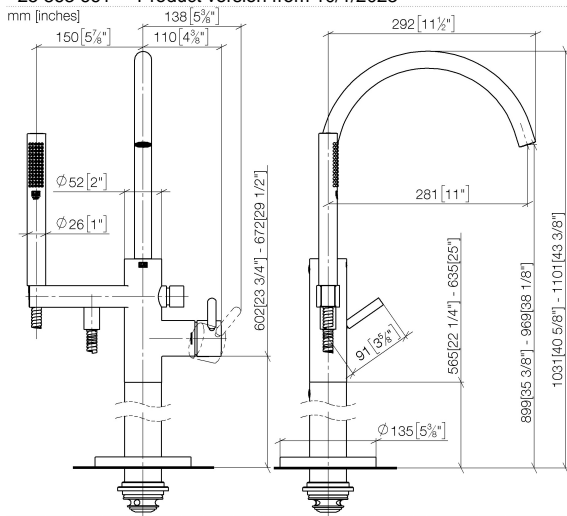


Concealed floor mounting -

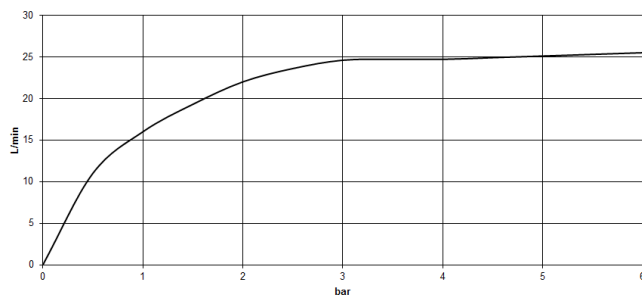
35 945 970 90

- min. recess depth 80 mm
- max. recess depth 150 mm

25 863 661 Product version from 10/1/2023



Flow rate chart



Codes & Standards

ASME A112.18.1	cUPC	DIN 4109	EN 1717
ISO 3822	Scottish Water Byelaws	UK Water Supply Regulations	Ü-Zeichen



Single-lever bath mixer with stand pipe for free-standing assembly with hand shower set - Brushed Platinum

SERIES SPECIFIC

25 863 661 Product version from 10/1/2023

Certificates and sustainability

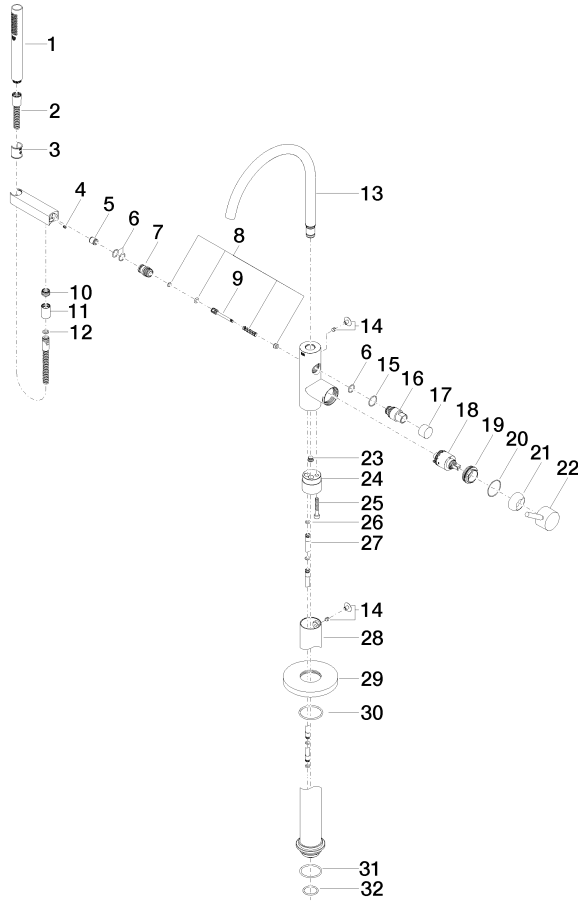
Belgaqua_19_77

IAPMO_4976

WRAS_250502

EPD-DOR-20230287 LGA_39
-IBA1-EN
Environmental.prod
uct-declarat

25 863 661 Product version from 10/1/2023



Single-lever bath mixer with stand pipe for free-standing assembly with hand shower set - Brushed Platinum

SERIES SPECIFIC

25 863 661 Product version from 10/1/2023

Spare parts list

No.	Item Number	Name	Quantity used	Delivery time
4	09 31 11 058 90	Mounting Threaded pin with hexagon socket with cup point M5 x 8 mm -	1.00	14
2	90 30 02 072 00-06	Metal shower hose 1/2" x 3/8" x 1250 mm - Brushed Stainless Steel / Platinum Matt	1.00	20
10	09 24 03 069 90	Nipple Ø 20 x 11,5 mm -	1.00	14
18	90 15 05 039 00 90	Cartridge blue Ø 40 x 75 mm -	1.00	14
26	09 14 10 139 90	O-Ring EPDM 70 9,0 x 2,0 mm -	2.00	14
31	09 14 10 084 90	O-Ring EPDM 70 48 x 3,5 mm -	1.00	14
17	09 20 88 002-06	Pull button Ø 30 x 20 mm - Brushed Platinum	1.00	20
7	09 24 03 153 20-06	Nipple Ø 24 x 34,5 mm - Brushed Platinum	1.00	-
Spare part can no longer be ordered, please order the replacement item				
	09240315320-00	Nipple Ø 24 x 34,5 mm - Chrome		
8	90 16 02 023 00 90	Diverter Repair kit, bath deck mounting 15 x 50 x 15 mm -	1.00	14
11	90 21 02 069 00-06	Cover/sleeve M20 x 1 - Brushed Platinum	1.00	20
23	04 31 20 039 11 90	Plug with O-ring M12 x 1 -	1.00	14
21	09 28 30 036-06	Cover Ø 46 x 18 mm - Brushed Platinum	1.00	20
32	09 14 10 018 90	O-Ring EPDM 70 32,0 x 3,0 mm -	1.00	14
29	09 27 88 007-06	Rosette Ø 135 x 15,5 mm - Brushed Platinum	1.00	20
14	04 31 20 036 00 90	Plug for bath deck mounting Cover with threaded pin -	2.00	14
9	09 31 09 102 20-06	Pull rod for diverter Ø 12 x 70 mm - Brushed Platinum	1.00	-
Spare part can no longer be ordered, please order the replacement item				
25	09 30 30 111 90	Mounting Cylinder head screw with hexagon socket M8 x 50 mm -	1.00	14
5	90 23 01 141 00 90	Back-flow preventer -	1.00	14
27	04 28 22 025 00 90	Supply pipe Ø 12 x 70 mm -	2.00	14
16	09 21 34 081 20-06	Diverter Ø 30 x 56 mm - Brushed Platinum	1.00	20
24	09 24 03 152 20-06	Connection - Brushed Platinum	1.00	-
Spare part can no longer be ordered, please order the replacement item				
6	90 14 10 010 00 90	O-Ring EPDM 70 17,0 x 2,0 mm -	3.00	14
15	09 14 10 112 90	O-Ring 24,0 x 2,0 mm -	1.00	14
20	09 14 10 037 90	O-Ring 42,0 x 1,5 . mm -	1.00	14
30	90 14 10 129 00 90	O-Ring 52 x 3,5 mm -	1.00	14
3	09 18 40 118 90	Sleeve Ø 27,5 x 30 mm -	1.00	14
22	90 20 66 005 00-06	Handle for bath deck mounting Lever 52 x 35 x 117 mm - Brushed Platinum	1.00	20
28	04 28 22 030 00-06	Pipe Ø 71,5 x 697,5 mm - Brushed Platinum	1.00	20
19	09 24 04 298 90	Mounting Ø 42 x 17 mm -	1.00	14
12	90 14 20 026 00 90	Washer 14 x 8 x 2 mm Centellen WS 3820 -	1.00	14
13	90 28 22 327 01-06	Spout for bath deck mounting free-standing 304 mm, 25,2 l/min. - Brushed Platinum	1.00	20
1	90 12 11 140 41-06	Bar-type hand shower 6,8 l/min - Brushed Platinum	1.00	-
Spare part can no longer be ordered, please order the replacement item				