

## Data Sheet | Item Number: 734-515/037-000

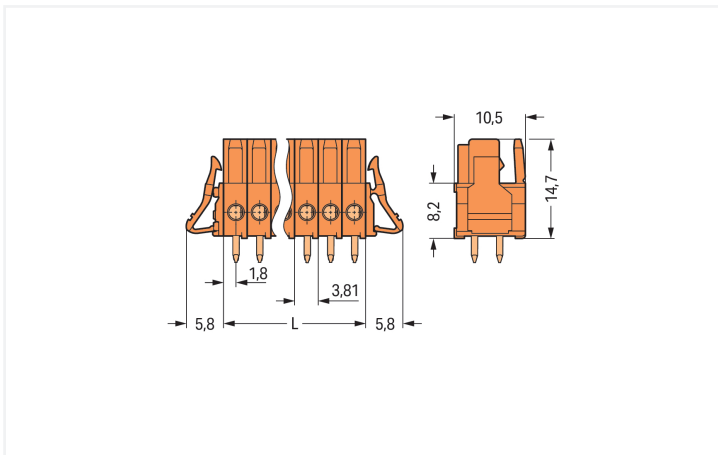
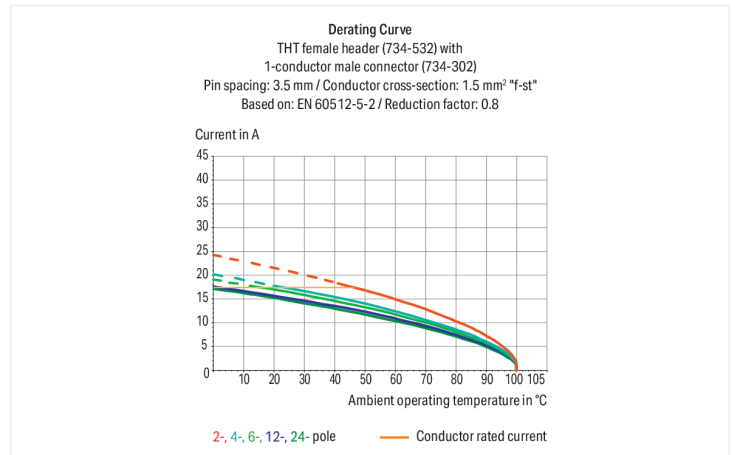
THT female header; straight; Pin spacing 3.81 mm; 15-pole; 100% protected against mismatching; Locking lever; 0.9 x 0.9 mm solder pin; orange

<https://www.wago.com/734-515/037-000>



Color: ■ orange

Similar to illustration



Dimensions in mm

L = pole no. x pin spacing

Female connector, 734 Series, with 3.81 mm pin spacing

Our female connector (item number 734-515/037-000) simplifies electrical installations. The item's dimensions are (68.8 x 18.5 x 10.5) mm (width x height x depth).

Tin is used for coating the contact surfaces. THT is used to assemble the pcb connector.

## Notes

## Safety Information

The MCS – MULTI CONNECTION SYSTEM includes connectors without breaking capacity in accordance with DIN EN 61984. When used as intended, these connectors must not be connected/disconnected when live or under load. When used as intended, these connectors must not be connected/disconnected when live or under load. The circuit design should ensure header pins, which can be touched, are not live when unmated.

## Variants:

Other pole numbers

Gold-plated or partially gold-plated contact surfaces

Other versions (or variants) can be requested from WAGO Sales or configured at <https://configurator.wago.com/>.

## Electrical data

| Ratings per                     |  | IEC/EN 60664-1 |        |        | Approvals per |       | UL 1059 |       |  |
|---------------------------------|--|----------------|--------|--------|---------------|-------|---------|-------|--|
| Overvoltage category            |  | III            | III    | II     | Use group     | B     | C       | D     |  |
| Pollution degree                |  | 3              | 2      | 2      | Rated voltage | 300 V | -       | 300 V |  |
| Nominal voltage                 |  | 160 V          | 160 V  | 320 V  | Rated current | 10 A  | -       | 10 A  |  |
| Rated impulse withstand voltage |  | 2.5 kV         | 2.5 kV | 2.5 kV |               |       |         |       |  |
| Rated current                   |  | 10 A           | 10 A   | 10 A   |               |       |         |       |  |

| Approvals per |  | CSA   |   |       |
|---------------|--|-------|---|-------|
| Use group     |  | B     | C | D     |
| Rated voltage |  | 300 V | - | 300 V |
| Rated current |  | 10 A  | - | 10 A  |

## Connection Data

|                            |    | Connection 1 |    |
|----------------------------|----|--------------|----|
| Clamping units             | 15 | Pole number  | 15 |
| Total number of potentials | 15 |              |    |
| Number of connection types | 1  |              |    |
| Number of levels           | 1  |              |    |

## Physical data

|                                      |                          |
|--------------------------------------|--------------------------|
| Pin spacing                          | 3.81 mm / 0.15 inches    |
| Width                                | 68.8 mm / 2.707 inches   |
| Height                               | 18.5 mm / 0.728 inches   |
| Height from the surface              | 14.7 mm / 0.579 inches   |
| Depth                                | 10.5 mm / 0.413 inches   |
| Solder pin length                    | 3.8 mm                   |
| Solder pin dimensions                | 0.9 x 0.9 mm             |
| Drilled hole diameter with tolerance | 1.4 <sup>(+0.1)</sup> mm |

## Mechanical data

|                          |     |
|--------------------------|-----|
| Variable coding          | Yes |
| Anti-rotation protection | Yes |

### Plug-in connection

|                                    |                         |
|------------------------------------|-------------------------|
| Contact type (pluggable connector) | Female connector/socket |
| Connector (connection type)        | for PCB                 |
| Mismating protection               | Yes                     |
| Mating direction to the PCB        | 90 °                    |
| Locking of plug-in connection      | Locking lever           |

### PCB contact

|                                     |  |
|-------------------------------------|--|
| PCB contact                         | THT  |
| Solder pin arrangement              | over the entire female connector (in-line) |
| Number of solder pins per potential | 1  |

### Material data

|                                    |  |
|------------------------------------|--|
| Note (material data)               | <a href="#">Information on material specifications can be found here</a> |
| Color                              | orange   |
| Material group                     | I  |
| Insulation material (main housing) | Polyamide (PA66)   |
| Flammability class per UL94        | V0   |
| Contact material                   | Copper alloy   |
| Contact Plating                    | Tin  |
| Fire load                          | 0.162 MJ   |
| Weight                             | 9.4 g  |

### Environmental requirements

|                         |                 |
|-------------------------|-----------------|
| Limit temperature range | -60 ... +100 °C |
| Processing temperature  | -35 ... +60 °C  |

### Commercial data

|                       |               |
|-----------------------|---------------|
| PU (SPU)              | 25 pcs        |
| Packaging type        | Box           |
| Country of origin     | DE            |
| GTIN                  | 4055143510240 |
| Customs tariff number | 85366990990   |

### Product Classification

|             |                      |
|-------------|----------------------|
| UNSPSC      | 39121409             |
| eCl@ss 10.0 | 27-44-04-02          |
| eCl@ss 9.0  | 27-44-04-02          |
| ETIM 9.0    | EC002637             |
| ETIM 10.0   | EC002637             |
| ECCN        | NO US CLASSIFICATION |

## Environmental Product Compliance

RoHS Compliance Status

Compliant, No Exemption

## Approvals / Certificates

### General approvals



| Approval                              | Standard | Certificate Name |
|---------------------------------------|----------|------------------|
| CB<br>DEKRA Certification B.V.        | EN 61984 | NL-54190         |
| CSA<br>DEKRA Certification B.V.       | C22.2    | 1465035          |
| KEMA/KEUR<br>DEKRA Certification B.V. | EN 61984 | 71-105522        |
| UL<br>Underwriters Laboratories Inc.  | UL 1977  | E 45171          |

### Approvals for marine applications



| Approval                      | Standard | Certificate Name  |
|-------------------------------|----------|-------------------|
| DNV<br>DNV GL SE              | -        | TAE000016Z        |
| PRS<br>Polski Rejestr Statków | -        | TE/1095/880590/23 |

## Downloads

### Environmental Product Compliance

#### Compliance Search

Environmental Product  
Compliance  
734-515/037-000



## Documentation

### Additional Information

Technical Section

03.04.2019

pdf  
2027.26 KB

## CAD/CAE-Data

### CAD data

2D/3D Models  
734-515/037-000

