

Presence detector, DALI, master, 12 m, flat, for flush mounting, white

350-41657

4 year warranty

Presence detector, DALI daylight control for flush-mounting in ceilings of 2.4 - 3 m. Standalone or as master combinable with a maximum of 10 secondary detectors. For use in offices, schools, conference rooms... in large and small spaces. The detector has a maximum of 3 daylight controlled zones and has a very flat design of only 5 mm, so that it can be mounted almost flush with the ceiling. Depending on the chosen application the lighting must always be switched on manually using a push button, and is automatically switched off if there is sufficient daylight or no one is in the room (absence detector). Or the lighting is switched on automatically when movement is registered and there is insufficient daylight. In this case, the lighting is also automatically switched off if there is sufficient daylight or no one is in the room (presence detector). The lighting remains on as long as the detector detects movement and the measured level of daylight is lower than the set value. The switch-off delay, the lux value at which the lighting must switch on and the sensitivity of the detector can easily be set with the IR remote control (optional).

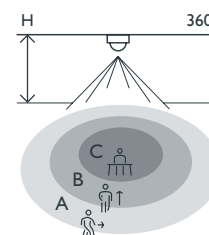
Finishing colour: white

Compatible secondary detectors: 350-41659



- All-in-one solution
- Fast, flexible installation thanks to the addressable DALI bus
- Easy to mount thanks to its spring clamps
- It can be integrated practically level on the ceiling thanks to its ultra-flat design of barely 5 mm.
- Three daylight control zones

Detection range



H	A Across	B Towards	C Presence
2.5 m	∅ 8 m	∅ 4 m	∅ 3 m
3 m	∅ 12 m	∅ 6 m	∅ 4 m



DALI



master



360°



∅ 12 m from a height of 3 m



2.5 - 3 m



flush-mounting

niko

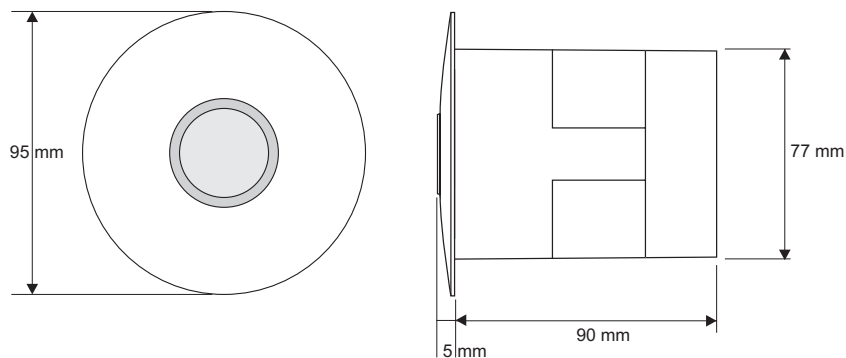
Technical data

Article number	350-41657
Compatible secondary detectors	350-41659
Input voltage	230 Vac \pm 10 %, 50 Hz
Detector output	DALI Addressable
Maximum MCB rating	10 A (limited by national installation rules)
Light intensity range	100 lux – 1000 lux
Maximum number of dimmable zones	3
Switch-off delay	5 min – 1 h, ∞
Detection angle	360 °
Detection range (PIR)	\varnothing 12 m from a height of 3 m
Ambient temperature	-5 – +40 °C
Mounting method	flush-mounting
Mounting height	2.5 – 3 m
Drill diameter	77 mm
Dimensions visible (HxWxD)	95 x 95 x 5 mm
Dimensions (HxWxD)	95 x 95 x 95 mm
Protection degree	IP20
Marking	CE

Accessories

350-41936	Universal remote control for smartphone
350-41934	IR-remote control for installers
350-41935	IR remote control for users

Dimensions



Wiring diagram

