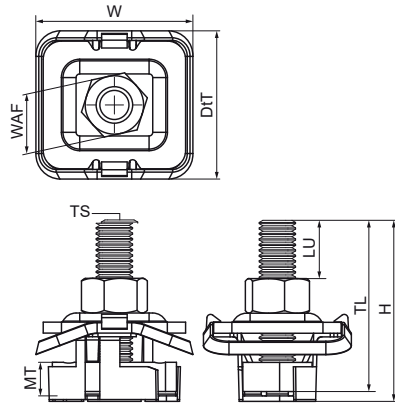


Walraven RapidStrut® Hammerfix G2 (BUP1000)

(H2449)

for quick connection of clamps to the rail



Features & benefits

- slide nut with stud bolt, washer and Walraven RapidStrut® spring
- ready-to-use pre-assembled for a quick fixing, and retains assembly in place before final tightening
- material: metal parts made of steel 1.0332; spring(s) made of POM (polyoxymethylene), green
- product is part of the Walraven Walraven UltraProtect® 1000 system
- suitable for in- and outdoor applications
- stands min. 1,000 hours salt spray test (max. 5% red rust) according to ISO 9227
- Tested values in combination with Walraven RapidStrut® Rail 41x41x2.5mm.
- M10 & M12 are tested for fire safety according to EN 1366-1.



Product Number	For Rail Type	Thread Size	Thread Length	Usable Length	Material Thickness	Width Across Flats	Torque Moment For Installation	Maximum Allowed Load Fax	Maximum Allowed Load Faz	Total Height	Total Width	Total Depth
Reference Letter		TS	TL	LU	MT	WAF	T _{inst.}	F _{a,x}	F _{a,z}	H	W	D _t
Unit description			mm	mm	mm	mm	Nm	N	N	mm	mm	mm
652785004	41x21, 41x41, 41x51, 41x62, 41x82	M10	40	10.56	8.00	17	15	1,250	5,000	42.85	43.22	40.8
652785006	41x21, 41x41, 41x51, 41x62, 41x82	M10	60	30.56	8.00	17	15	1,250	5,000	62.85	43.22	40.8
652785008	41x21, 41x41, 41x51, 41x62, 41x82	M10	80	50.56	8.00	17	15	1,250	5,000	82.85	43.22	40.8
652785204	41x21, 41x41, 41x51, 41x62, 41x82	M12	40	7.56	9.00	19	22	2,440	5,000	41.85	43.22	40.8
652785206	41x21, 41x41, 41x51, 41x62, 41x82	M12	60	27.56	9.00	19	22	2,440	5,000	61.85	43.22	40.8
652785804	41x21, 41x41, 41x51, 41x62, 41x82	M8	40	14.06	6.00	13	11	1,100	3,120	44.85	43.22	40.8
652785805	41x21, 41x41, 41x51, 41x62, 41x82	M8	50	24.06	6.00	13	11	1,100	3,120	54.85	43.22	40.8
652785806	41x21, 41x41, 41x51, 41x62, 41x82	M8	60	34.06	6.00	13	11	1,100	3,120	64.85	43.22	40.8
652785808	41x21, 41x41, 41x51, 41x62, 41x82	M8	80	54.06	6.00	13	11	1,100	3,120	84.85	43.22	40.8
652785810	41x21, 41x41, 41x51, 41x62, 41x82	M8	100	74.06	6.00	13	11	1,100	3,120	104.85	43.22	40.8
652785010	41x21, 41x41, 41x51, 41x62, 41x82	M10	100	70.56	8.00	17	15	1,250	5,000	102.85	43.22	40.8