

Data Sheet | Item Number: 280-803

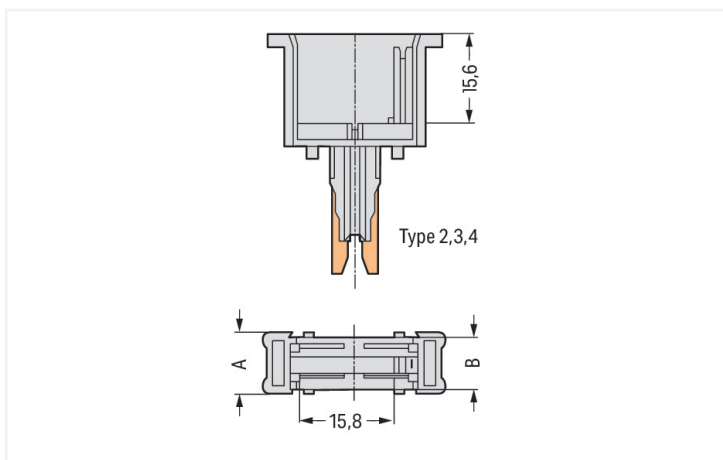
Empty component plug housing; 10 mm wide; Type 4; 2-pole; gray

<https://www.wago.com/280-803>



Type	1	2	3	4
A	5	10	10	10
B	3.2	8.2	8.2	8.2

Color: ■ gray



Dimensions in mm

Empty component plug housing, type 4

Note	
Note	Plug inside dimensions: W/H/L (8.2/15/15) mm

Electrical data	
Rated continuous current	6 A

Safety and protection	
Rated Voltage	250 V
Rated impulse withstand voltage	4 kV
Pollution degree	3

Connection data

Pole number	2
-------------	---

Physical data

Width	10 mm / 0.394 inches
-------	----------------------

Mechanical data

Housing design	Plug for carrier terminal blocks
Mounting type	Pluggable module for carrier terminal block

Material data

Color	gray
-------	------

Commercial data

Product Group	1 (Rail Mounted Terminal Blocks)
PU (SPU)	50 pcs
Packaging type	Box
Country of origin	DE
GTIN	4044918270397
Customs tariff number	85366990990

Product Classification

UNSPSC	39121402
eCl@ss 10.0	27-14-11-49
eCl@ss 9.0	27-18-27-02
ETIM 9.0	EC002018
ETIM 8.0	EC002018
ECCN	NO US CLASSIFICATION

Environmental Product Compliance




RoHS Compliance Status	Compliant, No Exemption
------------------------	-------------------------

Downloads**Environmental Product Compliance****Compliance Search**

Environmental Product
Compliance 280-803



CAD/CAE-Data

CAD data	CAE data
2D/3D Models 280-803 	WSCAD Universe 280-803 
	ZUKEN Portal 280-803 

1 Compatible Products

1.1 Optional Accessories

1.1.1 Terminal blocks

1.1.1.1 Through terminal block



Item No.: 280-901
2-conductor through terminal block; 2.5 mm²; center marking; for DIN-rail 35 x 15 and 35 x 7.5; CAGE CLAMP®; 2,50 mm²; gray

Item No.: 280-101
2-conductor through terminal block; 2.5 mm²; lateral marker slots; for DIN-rail 35 x 15 and 35 x 7.5; CAGE CLAMP®; 2,50 mm²; gray

Item No.: 280-601
2-conductor through terminal block; 2.5 mm²; lateral marker slots; for DIN-rail 35 x 15 and 35 x 7.5; CAGE CLAMP®; 2,50 mm²; gray

Item No.: 280-681
3-conductor through terminal block; 2.5 mm²; center marking; for DIN-rail 35 x 15 and 35 x 7.5; CAGE CLAMP®; 2,50 mm²; gray



Item No.: 280-633
4-conductor through terminal block; 2.5 mm²; center marking; for DIN-rail 35 x 15 and 35 x 7.5; CAGE CLAMP®; 2,50 mm²; gray

Item No.: 280-833
4-conductor through terminal block; 2.5 mm²; center marking; for DIN-rail 35 x 15 and 35 x 7.5; CAGE CLAMP®; 2,50 mm²; gray

Item No.: 280-603
4-conductor through terminal block; 2.5 mm²; center marking; for DIN-rail 35 x 15 and 35 x 7.5; CAGE CLAMP®; 2,50 mm²; orange

Item No.: 280-621
4-conductor through terminal block; 2.5 mm²; lateral marker slots; for DIN-rail 35 x 15 and 35 x 7.5; CAGE CLAMP®; 2,50 mm²; gray