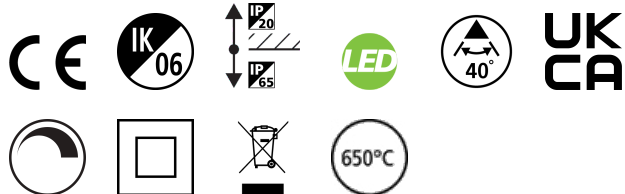


# SYLFIRE LED FIXED 840 DIM WHITE DC

Item No: 0059822

**SYLVANIA**

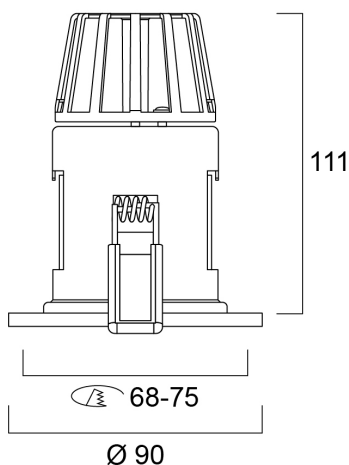
**START**



IP65 from the front LED downlight, fire rated for 30, 60 and 90 minutes. 8W up to 620 lumen output.

## Technical Assets

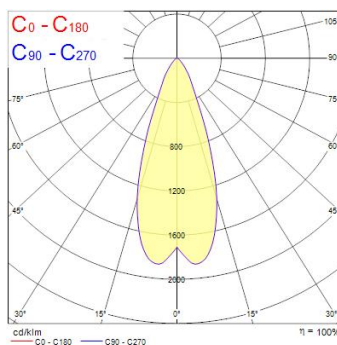
### Dimensions (mm)



### Photometrics

Distance [m]	Cone diameter [m]	E(0°) [lx]	E(C0) [lx]
0.5	0.35	4542	2247
1.0	0.70	1211	562
1.5	1.06	538	262
2.0	1.41	303	140
2.5	1.76	194	90
3.0	2.11	135	52

Distance [m]    Cone diameter [m]    Illuminance [lx]  
 C0 - C180 (Half beam angle: 38.9°)



# SYLFIRE LED FIXED 840 DIM WHITE DC

Item No: 0059822

**SYLVANIA**

## General data

Product name	SYLFIRE LED FIXED 840 DIM WHITE DC
Technology	LED
Housing	Aluminium
Mount	Ceiling recessed mounting
Environment	Indoor
General application	Residential & Consumer
Operating temperature range (°C)	-10°C...+45°C
Performance ambient temperature Tq (°C)	25
ETIM Class	EC001744
Warranty	5 years

## Optical data

Useful luminous flux ( $\Phi_{use}$ )	700
Fixture luminous flux (lm)	700
Luminaire efficacy (lm/W)	88
Correlated colour temperature (k)	4000
Colour Code	840
Light colour	Neutral White
CRI (Ra)	80
Colour Variation Initial (SDCM)	SDCM6
Beam Angle (°)	40
Photobiological Risk Group	RG1
Lumen maintenance at end of nominal life (%)	70

## Electrical data

Total power consumption (W)	8
Lamp power factor	0.85
Electrical protection	Class II
Dimmable	Yes
Dimming method	Mains: leading / trailing edge
Minimum dimming level (%)	10
Drive current (mA)	150
Inrush Current (A)	10
Inrush Duration ( $\mu$ s)	150
Nominal Frequency (Hz)	50/60Hz
Max. products per 10A C Breaker	60
Max. products per 13A C Breaker	80
Max. products per 16A C Breaker	100
Max. products per 20A C Breaker	120

## Lifetime data

Lifespan L70 B50	50000
------------------	-------

## Physical data

Housing colour	White
IP rating	IP65/20
IK rating	IK06
Diffuser finish	Opal
Diffuser material	PC Polycarbonate
Nominal Product Height (mm)	111
Nominal Product Diameter (mm)	90
Weight (kg)	0.441

# SYLFIRE LED FIXED 840 DIM WHITE DC

Item No: 0059822



## Packaging

Product EAN number	5410288598222
Packaging single length / height (cm)	13.5
Packaging single width (cm)	13.0
Packaging single depth (cm)	13.5
DUN14 (inner)	05410288598222
Units per outer package	20
Packaging outer length / height (cm)	68.1
Packaging outer width (cm)	29.6
Packaging outer depth (cm)	29.6

## Safety data

Glow Wire Test (°C)	650
Optimal operating condition (°C)	-10-45