

# Concord

Solstice 150 1800lm 930 SSC WW  
2070394



## Features

- The Solstice 150 1800lm 930 SSC WW is a high efficient SSC WW dimmable downlight luminaire, Colour rendering index Ra>90, Colour temperature: 3000K Warm White, Class II, Protection rating IP40/IP20, Cut out dimensions: 150mm.

## Product Overview

Product name	Solstice 150 1800lm 930 SSC WW
Technology	LED
Cap/Base	N/A
Housing	Aluminium
Mount	Ceiling recessed mounting
E-number FI	4262069
Fixture luminous flux (lm)	1800
Luminaire efficacy (lm/W)	120
LOR (%)	100
Colour temperature (K)	3000
Light colour	Warm White
CRI (Ra)	90
Colour Consistency (SDCM)	3
Colour Variation Initial (SDCM)	3
Glare control	< 24
Photobiological Risk Group	RG1
Total power consumption (W)	15
Electrical protection	Class II
Control gear type	LED driver constant current
LED Flickering Rate	Ultra low (5% or less)
Housing colour	RAL 9016 - Traffic white / Bezel

# Concord

Solstice 150 1800lm 930 SSC WW  
2070394

IP rating

IP40/20

IK rating

IK02

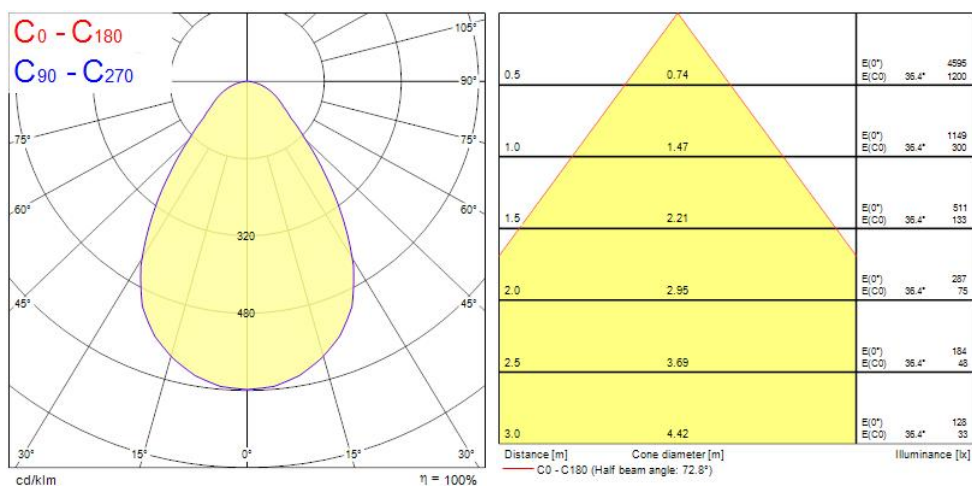
Product EAN number

5025768703944

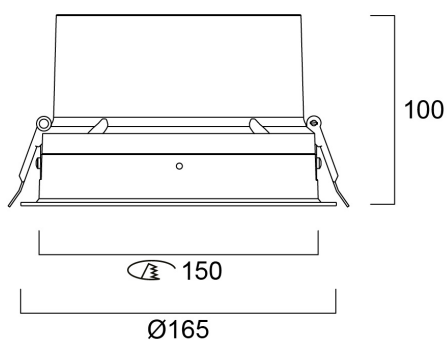
Warranty

5 years

## Photometry



## Technical drawings



# Concord

Solstice 150 1800lm 930 SSC WW  
2070394

## Data table

### GENERAL DATA

Product name	Solstice 150 1800lm 930 SSC WW
Technology	LED
Cap/Base	N/A
Housing	Aluminium
Mount	Ceiling recessed mounting
Operating temperature range (°C)	-10°C...+40°C
Performance ambient temperature Tq (°C)	40
E-number FI	4262069
Warranty	5 years

### OPTICAL DATA

Fixture luminous flux (lm)	1800
Luminaire efficacy (lm/W)	120
LOR (%)	100
Colour temperature (K)	3000
Light colour	Warm White
CRI (Ra)	90
Colour Consistency (SDCM)	3
Colour Variation Initial (SDCM)	3
Glare control	< 24
Photobiological Risk Group	RG1

### ELECTRICAL DATA

Total power consumption (W)	15
Primary Supply/Product voltage - min (V)	220
Lamp power factor	0.96
Electrical protection	Class II
Control gear required	No
Control gear type	LED driver constant current

# Concord

Solstice 150 1800lm 930 SSC WW  
2070394

Drive current (mA)	400
Inrush Current (A)	20
Inrush Duration (µs)	140
Glow Wire Test (°C)	850
Energy Efficiency Class (A->G) of contained light source	C
Nominal Frequency (Hz)	50/60Hz
LED Flickering Rate	Ultra low (5% or less)
Max. products per 10A C Breaker	40
Max. products per 20A B Breaker	44
Connectable conductor cross section - Min (mm <sup>2</sup> )	0.5
Connectable conductor cross section - Max (mm <sup>2</sup> )	2.5

## LIFETIME DATA

Lifespan L70 B50	120000
Lifespan L80 B20	120000
Lifespan L80 B10	120000
Lifespan L90 B10	74000

## PHYSICAL DATA

Housing colour	RAL 9016 - Traffic white / Bezel
IP rating	IP40/20
IK rating	IK02
Diffuser finish	Diffuse
Diffuser material	PC Polycarbonate
Nominal Product Diameter (mm)	165
Max. Lamp Diameter (mm) - D	165
Weight (kg)	0.95
Recessed Depth (mm)	150

## PACKAGING

Single packaging type	Carton
-----------------------	--------

# Concord

Solstice 150 1800lm 930 SSC WW  
**2070394**

Product EAN number	5025768703944
Packaging single width (cm)	25.0
Packaging single depth (cm)	12.5
DUN14 (outer)	05025768703944
Packaging outer length / height (cm)	27.5

## SAFETY DATA

Optimal operating condition (°C)	-10-40
Special purpose lamp	No
Dry applications use only	No
Suitable for household illumination	No