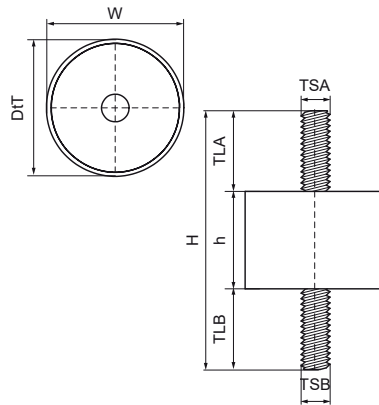


Walraven Silentbloc Type A

(E0505)

cylindrical dampers for damping vibrations



Features & benefits

- for vibration free fixing of devices to eg cantilever arms or rails
- to be used for pressure load only (standing mounted)
- material: vulcanized rubber, black; metal parts zinc plated
- sound insulating according DIN 4109

Product Number	Thread Size A	Thread Size B	Thread Length A	Thread Length B	Total Height	Total Width	Total Depth	Height	Maximum Allowed Load Faz
<i>Reference Letter</i>	TSA	TSB	TLA	TLB	H	W	DtT	h	F _{a,z}
<i>Unit description</i>			mm	mm	mm	mm	mm	mm	N
4125009	M8	M8	23	23	76	40	40	30	550