

Dual smart USB-C charger with power delivery, 65 W peak, screw fixing

420-00521



4 year warranty

This dual USB-C charger charges one or two mobile devices, such as laptops, mobile telephones, tablets, cameras and navigational devices.

The charger uses the Programmable Power Supply (PPS) fast charging standard. This means the device can modify voltage and current in real-time by feeding maximum power based on a device's charging status. The maximum current and voltage amount to, respectively, 3.25 A and 20 V on both outputs combined. These two values determine the device's power, which is limited to 65 W peak on both outputs combined.

When two devices are connected, the included load balancing technology will divide the power between the outputs to guarantee an optimal charging speed per device. The charger utilises innovative GaN technology for fast, powerful, compact, and safe charging.

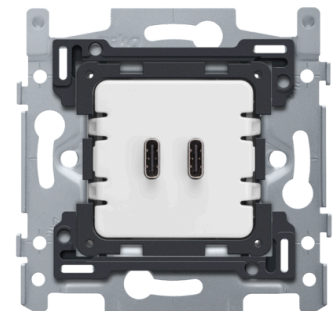
Supported protocols: Power Delivery (PD) 3.0, Programmable Power Supply (PPS), QC 3.0, QC 4.0, Apple 2.4

- 65 W peak power supply
- two USB-C ports
- fitted with load-balancing technology that divides the power between both outputs to guarantee an optimal charging speed per device
- uses power delivery protocols for faster, safer and more efficient charging
- makes use of the Programmable Power Supply (PPS) fast charging standard: the charger can modify voltage in real-time by feeding maximum power based on a device's charging status
- uses innovative GaN technology for fast, powerful, compact, and safe charging
- can replace a traditional socket outlet or USB-A charger in renovations
- fits in a standard flush-mounting box with a depth of 50 mm
- compatible with Niko Original, Niko Intense, Niko Pure, Niko Rocker and Niko Toggle design ranges

Technical data

Dual smart USB-C charger with power delivery, 65 W peak, screw fixing.

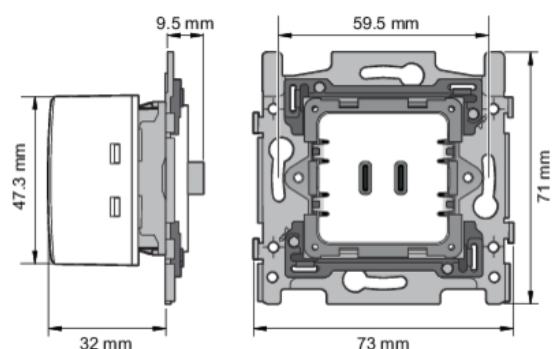
- Average active efficiency: 86%
- Efficiency at low load (10 %): 79%



- Input voltage: 100 - 230 V AC \pm 10%
- Input AC frequency: 50 - 60 Hz
- No-load power consumption: < 0.1 W
- Output voltage: 5 Vdc - 3 A, 9 Vdc - 3 A, 12 Vdc - 3 A, 15 Vdc - 3 A, 20 V - 3.25 A max.
- Average active efficiency: 5 Vdc - 81 %, 9 Vdc - 86 %, 12 Vdc - 88 %, 15 Vdc - 89 %, 20 V - 91 %
- Efficiency at low load (10 %): 5 Vdc - 56 %, 9 Vdc - 67 %, 12 Vdc - 71 %, 15 Vdc - 75 %, 20 V - 83 %
- Output power: 65 W peak, 45 W continuous (dynamic load balancing)
- Power delivery standard: PD3.0 / PPS / QC 3.0 / QC 4.0 / Apple 2.4
- Technology: GaN (Gallium Nitride)
- External power supply type (EPS): AC/DC, interoperable, multiple-voltage, basic-voltage, low-voltage, adaptive and dynamic EPS with shared capacity ports
- Maximum power consumption: 71 W (230 Vac)
- USB connections: 2 x USB type C
- Number of adaptive ports: 2
- Protection class: class II devices
- Protection overheating, overload, overcurrent and short-circuit protection
- Overvoltage category: III
- Output power: 65 W (230 Vac)
- Halogen-free: yes
- Maximum MCB rating: 20 A (limited by national installation rules)
- Protection degree: the combination of a mechanism, a central plate and a faceplate has a protection degree of IP20D
- Impact resistance: the combination of a mechanism, a central plate and a faceplate has an impact-resistance of IK06
- Material base insert:
 - impact-resistant, dust-proof and dimensionally stable polycarbonate
 - light grey RAL 7035
- Flush-mounting frame type:
 - 1 mm-thick metal
 - galvanized on all sides after cutting, even on the cut edges
 - with 4 grooves with screw hole of 7 mm
 - with 4 screw holes (indicated by a screw symbol) with a diameter of 3 mm for mounting on panels
- Minimum flush-mounting depth: 32 mm
- Type of fastening:
 - with screws for simple fixing in a flush-mounting box with grip surfaces
- Centre-to-centre distance:
 - simple and quick assembly of one or more mechanisms by the indication (chalk line, laser, etc.) of the centre of the flush-mounting frame
 - vertical coupling centre-to-centre distance 60 mm by sliding several bases into each other, they lock themselves automatically
 - vertical coupling centre-to-centre distance 71 mm using pre-formed lips at the bottom, by folding the lips downwards over a length of 1 mm, the bases support each other and the centre-to-centre distance is guaranteed.
 - horizontal connection of multiple bases is quick and perfect thanks to the folded-up dovetails on the left and right sides
 - extra robustness due to the folded-up edges on the outside of the base and the continuation into the inside of the base

- Base end border: the flush-mounting frame is equipped, both on the top and the bottom, with a dark grey, plastic end border. This border is made of PC+ASA and is joined to the flush-mounting frame using a melting process. The corners of the two end borders are equipped with rectangular openings (7.9 x 1.5 mm) each containing a multi-positional snap hook. Thanks to the snap hooks, the 4 rectangular openings ensure that the faceplate can always be attached flat to the wall, even in cases of untidy plasterwork. This works in two directions: If the flush-mounting box sticks out of the plasterwork, the multi-positional snap hooks can compensate for a 1 to 1.2 mm margin; if the flush-mounting box is sunk too deeply in the plasterwork, the snap hooks can compensate for up to a 1.8 mm margin. The end borders also have 4 round openings that ensure the correct positioning of the faceplate in relation to the central plate
- Terminal wire connection: screw terminals
- Terminals with screw driver slot : every screw is fitted with a screwdriver slot that prevents the screwdriver from sliding off the screwhead
- Terminal screw head: slotted screwhead (slot 1 x 4.5 mm)
- Terminal with permanent screws: each connector block is equipped with cage clamps with permanent screws
- Terminals location: top of the base
- Terminals wire capacity: 2 x 2.5 mm²
- Minimum ambient temperature: 0 °C
- Maximum ambient temperature: 40 °C
- temperatureambienttransportminimumcalc: -20 °C
- temperatureambienttransportmaximumcalc: 70 °C
- Dimensions (HxWxD): 71 mm x 73 mm x 39.8 mm
- Marking: CE

Dimensions



Wiring diagram

