

Presence detector, DALI, master, 12 m, with potential-free contact, flat, for flush mounting, white

350-41650

4 year warranty

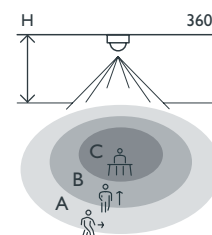
Presence detector, DALI daylight control for flush-mounting in ceilings of 2.4 – 3 m. Standalone or as master combinable with a maximum of 10 secondary detectors. For use in offices, schools and public buildings and in both large and small rooms. The detector has a maximum of 3 daylight controlled zones, and an extra contact which can be used. It has a very flat design of only 5 mm, so that it can be mounted almost flush with the ceiling. Depending on the chosen application the lighting must always be switched on manually using a push button, and is automatically switched off if there is sufficient daylight or no one is in the room (absence detector). Or the lighting is switched on automatically when movement is registered and there is insufficient daylight. In this case, the lighting is also automatically switched off if there is sufficient daylight or no one is in the room (presence detector). The lighting remains on as long as the detector detects movement and the measured level of daylight is lower than the set value. The switch-off delay, the lux value at which the lighting must switch on and the sensitivity of the detector are easily set with the IR remote control for smartphone (optional).

Finishing colour: white

Compatible secondary detectors: 350-41659



Detection range



| H | A Across | B Towards | C Presence |
|-------|-------------|--------------|---------------|
| 2.5 m | ∅ 8 m | ∅ 4 m | ∅ 3 m |
| 3 m | ∅ 12 m | ∅ 6 m | ∅ 4 m |



DALI



master



360°



∅ 12 m from
a height of
3 m



2.5 – 3 m



flush-
mounting

niko

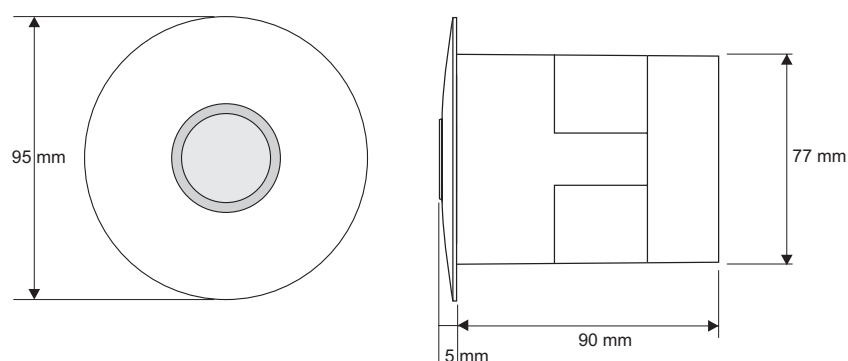
Technical data

| | |
|--|---|
| Article number | 350-41650 |
| Compatible secondary detectors | 350-41659 |
| Input voltage | 230 Vac \pm 10 %, 50 Hz |
| Detector output | DALI Addressable |
| Maximum MCB rating | 10 A (limited by national installation rules) |
| Relay contact | N.O. (max. 10 A), potential-free |
| Maximum load incandescent and halogen lamps ($\cos\phi=1$) | 2300 W |
| Maximum load economy lamps (CFLi) | 350 W |
| Maximum load LED lamps 230 V | 350 W |
| Maximum load LED driver | 500 VA |
| Maximum load electronic transformer | 500 VA |
| Maximum capacitive load | 140 μ F |
| Maximum switching current | 165 A/20 ms – 800 A/200 μ s |
| Light intensity range | 100 lux – 2000 lux |
| Number of channels | 1 channel |
| Maximum number of dimmable zones | 3 |
| Switch-off delay | 5 min – ∞ |
| Detection angle | 360 ° |
| Detection range (PIR) | \varnothing 12 m from a height of 3 m |
| Ambient temperature | -5 – +40 °C |
| Mounting method | flush-mounting |
| Mounting height | 2.5 – 3 m |
| Drill diameter | 77 mm |
| Dimensions visible (HxWxD) | 95 x 95 x 5 mm |
| Dimensions (HxWxD) | 95 x 95 x 95 mm |
| Protection degree | IP20 |
| Marking | CE |

Accessories

| | |
|-----------|---|
| 350-41936 | Universal remote control for smartphone |
| 350-41934 | IR-remote control for installers |
| 350-41935 | IR remote control for users |

Dimensions



Wiring diagram

