

Motion detector, 230 V, 8 m, 180°, wall detector, for flush-mounting box, sterling

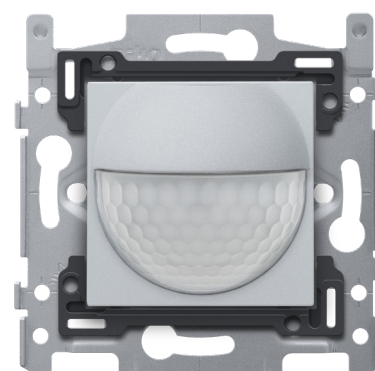
121-78011

4 year warranty

With this integrated indoor motion detector with a 10 A, 230 V switching contact, you have a viewing angle of 180° (horizontal) and 60° (vertical) within which all movement is detected. When a motion is detected, pre-selected lights are activated.

Finishing colour: sterling

Compatible secondary detectors: XXX-78011

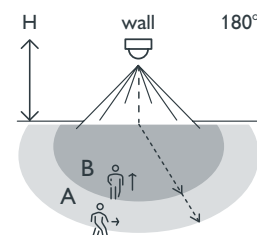


- Sustainable
- Compact
- Simple installation
- Discreet
- The motion detector can be used as a master or secondary detector.

Motion detector for residential use for small rooms, toilets, storerooms, cellars, etc.

- The lighting remains on while motion is detected.
- The built-in time switch allows you to set the desired switch-off delay. The lighting will remain on throughout the disconnection time after the last movement has been detected.
- The lighting can stay on for four hours if you press the button located above the sensor. You can also connect a push button or external switch on this motion detector if you need to be able to control the lighting circuit manually.
- Can be integrated into all Niko central plates.

Detection range



H	A Across	B Towards
0.8 m	7 m	2.4 m
1 m	8 m	3 m
1.2 m	9 m	4 m



230 V



master/
secondary



8 m from
a height of
1 m



0.8 - 1.2 m



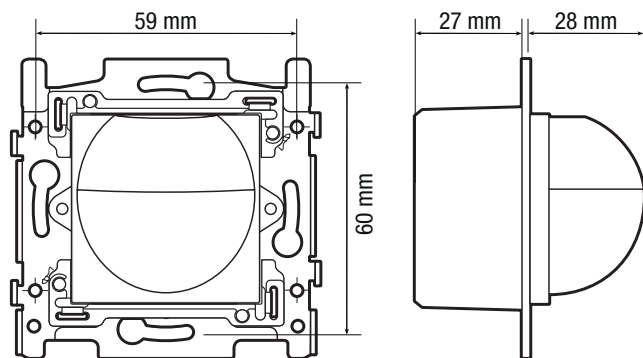
flush-
mounting
box

Niko

Technical data

Article number	121-78011
Input voltage	230 Vac \pm 10 %, 50 Hz
Detector output	230 V (ON/OFF)
Maximum MCB rating	10 A (limited by national installation rules)
Maximum load incandescent and halogen lamps ($\cos\phi=1$)	2300 W
Maximum load fluorescent lamps ($\cos\phi \geq 0.5$)	1380 VA
Maximum load LED lamps 230 V	230 W
Light intensity range	10 lux – 1000 lux
Ambient temperature	-5 – +45 °C
Switch-off delay	1 min – 30 min
Detection range (PIR)	8 m from a height of 1 m
Ambient temperature	-5 – +45 °C
Mounting method	flush-mounting box
Mounting height	0.8 – 1.2 m
Minimum flush-mounting depth	40 mm
Colour	enamelled sterling (approximately NCS S 4000 - N, RAL 9007)
Wire capacity	2 x 1.5 mm ² or 1 x 2.5 mm ²
Protection degree	IP20
Protection degree	IP40 for the combination of a mechanism and faceplate
Marking	CE

Dimensions



Wiring diagram

