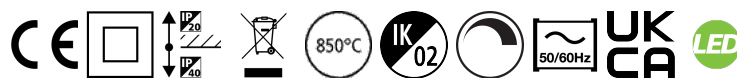


Concord

Solstice 200 1500lm 930 SSC BB
2070392



Features

- The Solstice 200 1500lm 930 SSC BB is a high efficient SSC BB dimmable downlight luminaire, Colour rendering index Ra>90, Colour temperature: 3000K Warm White, Class II, Protection rating IP40/IP20, Cut out dimensions: 200mm.

Product Overview

Product name	Solstice 200 1500lm 930 SSC BB
Technology	LED
Cap/Base	N/A
Housing	Aluminium
Mount	Ceiling recessed mounting
E-number FI	4274606
Fixture luminous flux (lm)	1500
Luminaire efficacy (lm/W)	88
LOR (%)	100
Colour temperature (K)	3000
Light colour	Warm White
CRI (Ra)	90
Colour Consistency (SDCM)	3
Colour Variation Initial (SDCM)	3
Glare control	< 19
Photobiological Risk Group	RG1
Total power consumption (W)	17
Electrical protection	Class II
Control gear type	LED driver constant current
LED Flickering Rate	Ultra low (5% or less)
Housing colour	RAL 9005 - Jet black

Concord

Solstice 200 1500lm 930 SSC BB
2070392

IP rating

IP40/20

IK rating

IK02

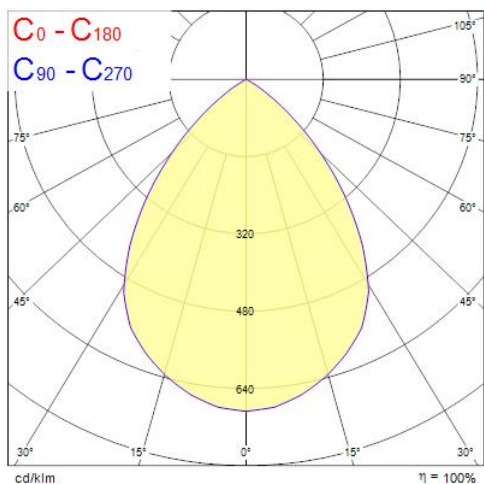
Product EAN number

5025768703920

Warranty

5 years

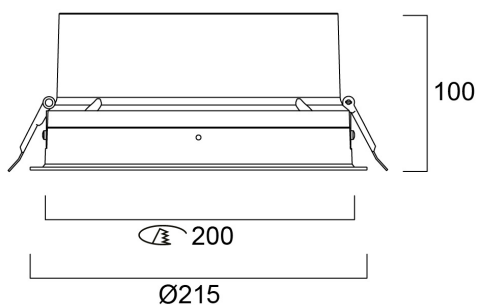
Photometry



0.5	0.81	E(0°) E(C0)	38.9°	4124 973
1.0	1.61	E(0°) E(C0)	38.9°	1031 243
1.5	2.42	E(0°) E(C0)	38.9°	458 108
2.0	3.23	E(0°) E(C0)	38.9°	255 61
2.5	4.03	E(0°) E(C0)	38.9°	165 39
3.0	4.84	E(0°) E(C0)	38.9°	115 27

Distance [m] Cone diameter [m] Illuminance [lx]
C0 - C180 (Half beam angle: 77.8°)

Technical drawings



Concord

Solstice 200 1500lm 930 SSC BB
2070392

Data table

GENERAL DATA

Product name	Solstice 200 1500lm 930 SSC BB
Technology	LED
Cap/Base	N/A
Housing	Aluminium
Mount	Ceiling recessed mounting
Operating temperature range (°C)	-10°C...+40°C
Performance ambient temperature Tq (°C)	40
E-number FI	4274606
Warranty	5 years

OPTICAL DATA

Fixture luminous flux (lm)	1500
Luminaire efficacy (lm/W)	88
LOR (%)	100
Colour temperature (K)	3000
Light colour	Warm White
CRI (Ra)	90
Colour Consistency (SDCM)	3
Colour Variation Initial (SDCM)	3
Glare control	< 19
Photobiological Risk Group	RG1

ELECTRICAL DATA

Total power consumption (W)	17
Primary Supply/Product voltage - min (V)	220
Lamp power factor	0.96
Electrical protection	Class II
Control gear required	No
Control gear type	LED driver constant current

Concord

Solstice 200 1500lm 930 SSC BB
2070392

Drive current (mA)	450
Inrush Current (A)	25
Inrush Duration (µs)	141
Glow Wire Test (°C)	850
Energy Efficiency Class (A->G) of contained light source	C
Nominal Frequency (Hz)	50/60Hz
LED Flickering Rate	Ultra low (5% or less)
Max. products per 10A C Breaker	31
Max. products per 20A B Breaker	40
Connectable conductor cross section - Min (mm ²)	0.5
Connectable conductor cross section - Max (mm ²)	2.5

LIFETIME DATA

Lifespan L70 B50	120000
Lifespan L80 B20	120000
Lifespan L80 B10	120000
Lifespan L90 B10	68000

PHYSICAL DATA

Housing colour	RAL 9005 - Jet black
IP rating	IP40/20
IK rating	IK02
Diffuser finish	Diffuse
Diffuser material	PC Polycarbonate
Nominal Product Diameter (mm)	215
Max. Lamp Diameter (mm) - D	215
Weight (kg)	1.3
Recessed Depth (mm)	150

PACKAGING

Single packaging type	Carton
-----------------------	--------

Concord

Solstice 200 1500lm 930 SSC BB
2070392

Product EAN number	5025768703920
Packaging single width (cm)	30.0
Packaging single depth (cm)	12.5
DUN14 (outer)	05025768703920
Packaging outer length / height (cm)	30.0

SAFETY DATA

Optimal operating condition (°C)	-10-40
Special purpose lamp	No
Dry applications use only	No
Suitable for household illumination	No