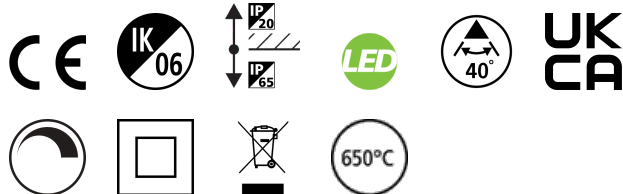


SYLFIRE LED FIXED 830 DIM WHITE DC

Item No: 0059821

SYLVANIA

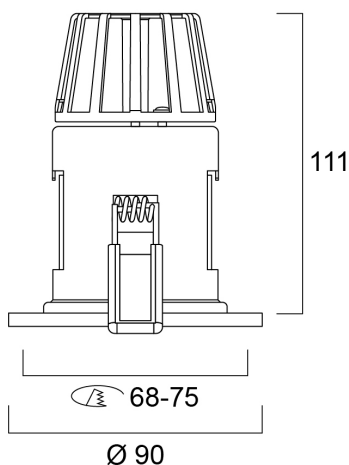
START



IP65 from the front LED downlight, fire rated for 30, 60 and 90 minutes. 8W up to 620 lumen output.

Technical Assets

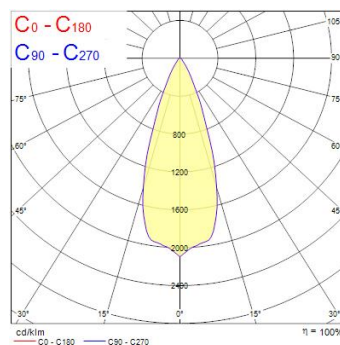
Dimensions (mm)



Photometrics

Distance [m]	Cone diameter [m]	E(0°) [lx]	E(C0) [lx]
0.5	0.34	4141	1785
1.0	0.69	1035	441
1.5	1.03	480	196
2.0	1.38	289	115
2.5	1.72	186	71
3.0	2.07	115	49

Distance [m] Cone diameter [m] Illuminance [lx]
C0 - C180 (Half beam angle: 38.0°)



SYLFIRE LED FIXED 830 DIM WHITE DC

Item No: 0059821

SYLVANIA

General data

Product name	SYLFIRE LED FIXED 830 DIM WHITE DC
Technology	LED
Housing	Aluminium
Mount	Ceiling recessed mounting
Environment	Indoor
General application	Residential & Consumer
Operating temperature range (°C)	-10°C...+45°C
Performance ambient temperature Tq (°C)	25
ETIM Class	EC001744
Warranty	5 years

Optical data

Useful luminous flux (Φuse)	670
Fixture luminous flux (lm)	670
Luminaire efficacy (lm/W)	84
Correlated colour temperature (k)	3000
Colour Code	830
Light colour	Warm White
CRI (Ra)	80
Colour Variation Initial (SDCM)	SDCM6
Beam Angle (°)	40
Photobiological Risk Group	RG1
Lumen maintenance at end of nominal life (%)	70

Electrical data

Total power consumption (W)	8
Primary Supply/Product voltage - min (V)	42
Primary Supply/Product voltage - max (V)	42
Lamp power factor	0.85
Electrical protection	Class II
Dimmable	Yes
Dimming method	Mains: leading / trailing edge
Minimum dimming level (%)	10
Drive current (mA)	150
Inrush Current (A)	10
Inrush Duration (µs)	150
Nominal Frequency (Hz)	50/60Hz
Max. products per 10A C Breaker	60
Max. products per 13A C Breaker	80
Max. products per 16A C Breaker	100
Max. products per 20A C Breaker	120

Lifetime data

Lifespan L70 B50	50000
------------------	-------

Physical data

Housing colour	White
IP rating	IP65/20
IK rating	IK06
Diffuser finish	Opal
Diffuser material	PC Polycarbonate
Nominal Product Height (mm)	111
Nominal Product Diameter (mm)	90
Weight (kg)	0.433

SYLFIRE LED FIXED 830 DIM WHITE DC

Item No: 0059821



Packaging

Product EAN number	5410288598215
Packaging single length / height (cm)	13.13
Packaging single width (cm)	13.03
Packaging single depth (cm)	12.93
DUN14 (inner)	05410288598215
Units per outer package	20
Packaging outer length / height (cm)	68.2
Packaging outer width (cm)	28.4
Packaging outer depth (cm)	29.9

Safety data

Glow Wire Test (°C)	650
Optimal operating condition (°C)	-10-45