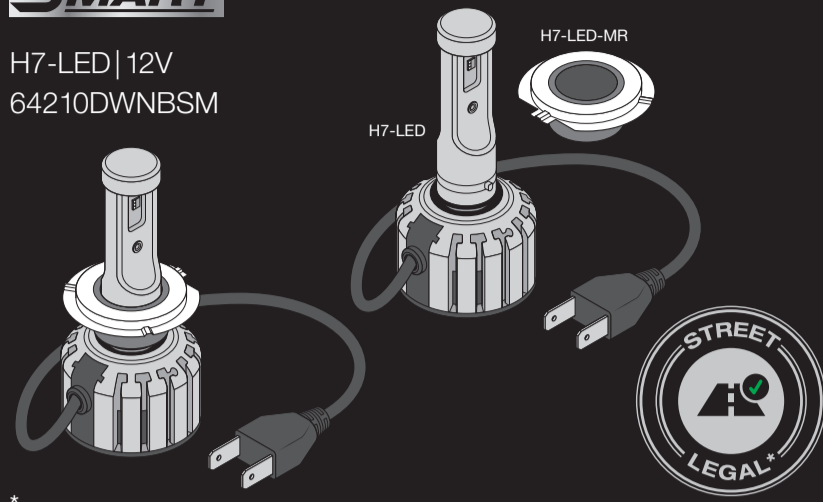


NIGHT BREAKER® LED

SMART

H7-LED | 12V
64210DWNBSM



* Applies only to vehicle models and light functions on the current compatibility list and in the respective country. For more details see www.osram.com/nb-led. The images shown in user manual are for illustration purposes only and may not be an exact representation of the product.¹⁾

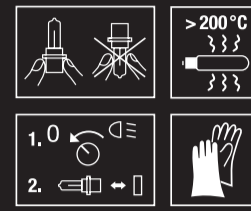
NIGHT BREAKER® LED

SMART

H7-LED | 12V
64210DWNBSM

<http://www.osram.com/am-installation>

For questions regarding maintenance or technical problems, please contact OSRAM customer service via automotive-service@osram.com¹⁾



OSRAM Prosperity Co. Ltd
Room 4007-4009 Office Tower
Convention Plaza
1 Harbour Road
Wanchai, Hong Kong

www.osram.com/am-guarantee

OSRAM GmbH
Nonnendammallee 44
13629 Berlin
Germany
www.osram.com

C15122315
G15129839
30.04.24

NOT FOR PRINT PRODUCTION!
本品不可印刷生产

WARNING:
This PDF file is for reference only and not to be used for the creation of production art.
Colour printouts and screen displays should not be used for colour approval as colours may vary from device to device. The colour values for this file are defined in either Pantone (PMS), HKS, or in process colours (CMYK).
For obtaining hard-copies in actual size (1:1) you need to enter the proper settings in your printer options.
警告:
本PDF文档仅作为参考文件，不能将本档用于印刷生产或者制作菲林。
本文档的色彩打印版本或在电脑屏幕上显示的色彩，不可用于最终的色彩参照。因为硬件或设备的差异，可能造成色彩的偏差。最终正式的色彩请遵照由色卡片PMS、HKS或者CMYK（青红黄黑）所定义的色彩。
若本文件的打印件要获取1:1的原始尺寸，须在打印选项中作出相应的设置。

OSRAM

[mm]
40
ø13.90
110

OFF **OFF**

LOW BEAM / HIGH BEAM

Option 1: Spring
Option 2: Steel spring or clamp
Option 3: Adapter (🛒)

Option 1: Spring

1. Remove the old bulb.
2. Turn the headlight housing cover clockwise to the "OFF" position.
3. Push the spring into the housing.
4. Connect the power cable to the housing terminals.
5. Insert the LED bulb into the housing.
6. Push the bulb down until it clicks.
7. Turn the housing cover clockwise to the "ON" position.
8. **TEST ON** (🛑)

Option 2: Steel spring or clamp

1. Remove the old bulb.
2. Turn the headlight housing cover clockwise to the "OFF" position.
3. Push the steel spring into the housing.
4. Connect the power cable to the housing terminals.
5. Insert the LED bulb into the housing.
6. Push the bulb down until it clicks.
7. Turn the housing cover clockwise to the "ON" position.
8. **TEST ON** (🛑)

9. Connect the power cable to the housing terminals.
10. Push the steel spring into the housing.
11. Insert the LED bulb into the housing.
12. Push the bulb down until it clicks.
13. Turn the housing cover clockwise to the "ON" position.
14. **TEST ON** (🛑)
15. Turn the housing cover clockwise to the "OFF" position.
16. **TEST ON** (🛑)

Option 3: Adapter

Refer to the specific installation instructions of the adapter for detailed information.¹⁰⁾

Vehicle	Adapter
Vehicle A	64210DA**
Vehicle B	-
...	-
...	-

1. Remove the old bulb.
2. Turn the headlight housing cover clockwise to the "OFF" position.
3. Push the adapter into the housing.
4. Connect the power cable to the housing terminals.
5. Insert the LED bulb into the adapter.
6. Push the bulb down until it clicks.
7. Turn the housing cover clockwise to the "ON" position.
8. **TEST ON** (🛑)

6. Push the adapter into the housing.
7. Connect the power cable to the housing terminals.
8. Insert the LED bulb into the adapter.
9. Push the bulb down until it clicks.
10. Turn the housing cover clockwise to the "ON" position.
11. **TEST ON** (🛑)
12. Turn the housing cover clockwise to the "OFF" position.
13. **TEST ON** (🛑)

