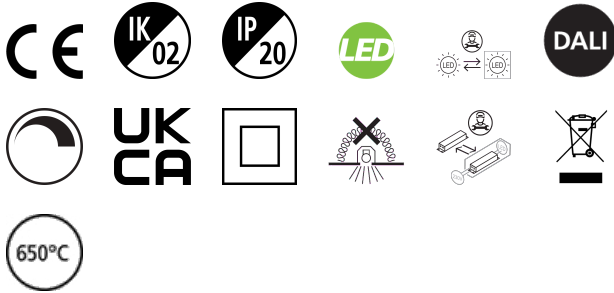


EQUINOX 165 2300 940 DALI BLACK

Item No: 2060589

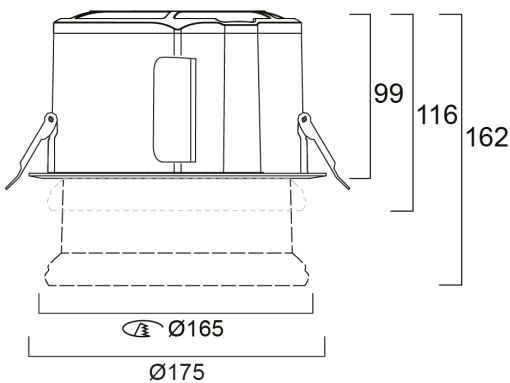
Concord



Equinox is an elegant and innovative luminaire designed using the latest optical technology. It is a high quality and efficient lighting solution for office, hospitality, and retail environments. It creates inspirational halo effects regulated by a unique adjustable optic system. It is DALI dimmable downlight luminaire, Colour rendering index Ra >90, Colour temperature: 4000K Neutral White, Class II, Cut out dimensions: 165mm. Low Glare UGR<19. Finish Jet Black RAL 9005.

Technical Assets

Dimensions (mm)

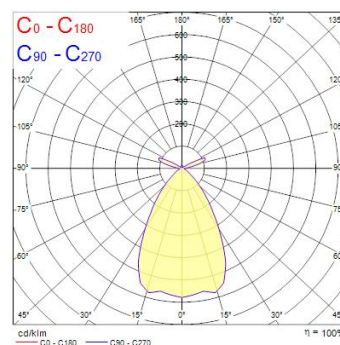


Photometrics

0.5	0.64	E(0°)	E(C0)	32.8°	833
		E(0°)	E(C0)	32.8°	1862
1.0	1.29	E(0°)	E(C0)	32.8°	1231
		E(0°)	E(C0)	32.8°	295
1.5	1.93	E(0°)	E(C0)	32.8°	891
		E(0°)	E(C0)	32.8°	175
2.0	2.58	E(0°)	E(C0)	32.8°	333
		E(0°)	E(C0)	32.8°	99
2.5	3.22	E(0°)	E(C0)	32.8°	213
		E(0°)	E(C0)	32.8°	63
3.0	3.87	E(0°)	E(C0)	32.8°	148
		E(0°)	E(C0)	32.8°	44

Distance [m] Cone diameter [m] Illuminance [lx]

— C0 - C180 (Half beam angle: 65.6°)



EQUINOX 165 2300 940 DALI BLACK

Item No: 2060589

Concord

General data

Product name	EQUINOX 165 2300 940 DALI BLACK
Technology	LED
Cap/Base	N/A
Housing	Aluminium
Mount	Ceiling recessed mounting
General application	Office
Operating temperature range (°C)	1°C...+25°C
Performance ambient temperature Tq (°C)	25
ETIM Class	EC001744
Warranty	5 years

Optical data

Useful luminous flux (Φ_{use})	2300
Fixture luminous flux (lm)	2300
Luminaire efficacy (lm/W)	115
Correlated colour temperature (k)	4000
Light colour	Neutral White
CRI (Ra)	90
Colour Variation Initial (SDCM)	SDCM3
Colour Consistency (SDCM)	3
Beam Angle (°)	64
Distribution type	Diffuse
Glare control	< 19
Photobiological Risk Group	RG1

Electrical data

Total power consumption (W)	20
Primary Supply/Product voltage - min (V)	220
Primary Supply/Product voltage - max (V)	240
Lamp power factor	0.96
THD (at 230 V, 50 Hz, full load, at 100% dimming level) \leq xx.x %	3
Electrical protection	Class II
Control gear type	LED driver constant current
Control gear mounting	Remote
Dimmable	Yes
Dimming method	DALI, Switch-dim (mains-rated)
Minimum dimming level (%)	1
Drive current (mA)	650
Inrush Current (A)	26.4
Inrush Duration (μ s)	224
Energy Efficiency Class (A->G) of contained light source	D
Nominal Frequency (Hz)	50/60Hz
Max. products per 10A C Breaker	16
Max. products per 13A C Breaker	56
Max. products per 16A C Breaker	64
Max. products per 20A C Breaker	80
Max. products per 10A B Breaker	21
Max. products per 13A B Breaker	28
Max. products per 16A B Breaker	35
Max. products per 20A B Breaker	44
Connectable conductor cross section - Min (mm ²)	0.5
Connectable conductor cross section - Max (mm ²)	2.5

EQUINOX 165 2300 940 DALI BLACK

Item No: 2060589

Concord

Lifetime data

Lifespan L70 B50	120000
Lifespan L80 B20	114000
Lifespan L80 B10	108000
Lifespan L90 B10	51500

Physical data

Housing colour	RAL 9005 - Jet black
IP rating	IP20
IK rating	IK02
Diffuser finish	Other
Diffuser material	PMMA Acrylic
Reflector finish	Not Applicable
Nominal Product Height (mm)	99
Nominal Product Diameter (mm)	175
Weight (kg)	1.55

Packaging

Product EAN number	5025768605897
Packaging single length / height (cm)	20.0
Packaging single width (cm)	25.0
Packaging single depth (cm)	20.0
DUN14 (inner)	05025768605897
Units per outer package	1
Packaging outer length / height (cm)	20.0
Packaging outer width (cm)	25.0
Packaging outer depth (cm)	20.0

Safety data

Glow Wire Test (°C)	650
Optimal operating condition (°C)	1-25