

83 251 979 Product version from 7/1/2023



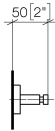
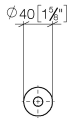
- rosette Ø 40 mm
- 50mm projection

Fits ELIO, ENO, MEM, META SQUARE, SYNC, TARA and TARA ULTRA

	Matte Black	83 251 979-33
	Chrome	83 251 979-00
	Brushed Platinum	83 251 979-06
	Dark Chrome	83 251 979-19
	Brushed Durabronze (23kt Gold)	83 251 979-28
	Brushed Gold (PVD)	83 251 979-37
	Brushed Dark Brass (PVD)	83 251 979-39
	Brushed Dark Bronze (PVD)	83 251 979-43
	Brushed Champagne (22kt Gold)	83 251 979-46
	Champagne (22kt Gold)	83 251 979-47
	Brushed Chrome	83 251 979-93
	Brushed Dark Platinum	83 251 979-99

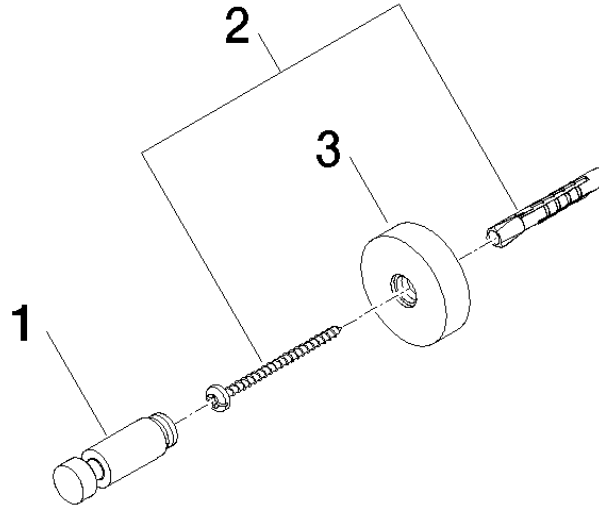
83 251 979 Product version from 7/1/2023

mm [inches]



83 251 979 Product version from 7/1/2023

Parts for other finishes can be found here: [Chrome](#)



Spare parts list

No.	Item Number	Name	Quantity used	Delivery time
3	08 27 97 501-33	Rosette Ø 40 x 11 mm - Matte Black	1.00	40
2	05 30 31 025 00 90	Mounting Bolt Round head 4,5 x 60 mm -	1.00	14
1	08 18 60 518-33	Hooks 13 x 46 x 13 mm - Matte Black	1.00	40