

Presence detector, 230 V, 20 m, for surface mounting, white

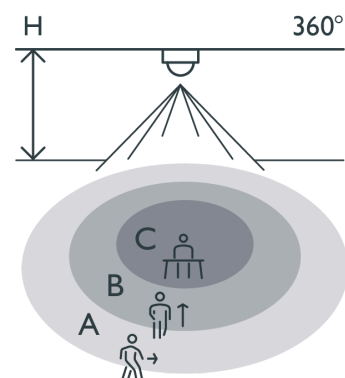
350-20054



4 year warranty



Detection range



H	A Across	B Towards	C Presence
2.5 m	ø 20 m	ø 12 m	ø 5 m
3 m	ø 20-22 m	ø 12-13 m	ø 5-6 m

This presence detector with one channel is suitable for ceiling mounting and is used to switch indoor lighting on and off. The detector has a circular detection area with a diameter of up to 20 m that can be adjusted using the cover mask. The device has a built-in light sensor and switches the lighting automatically on or off. Manual operation is also possible using the N.O. push button. After the pre-set time delay, the light is switched off automatically. The device has an IP20 protection degree and conforms to the European directive, EN 60669-2-1, for EMC and safety.

Colour: white

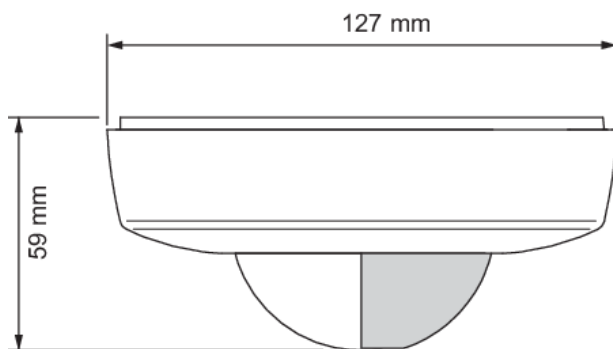
Compatible secondary detectors:

Compatible master detectors:

Technical features

Configuration	stand-alone
Input voltage	230 Vac
Detector output	230 V (ON/OFF)
Switch-off delay	60 sec – 1,800 sec
Maximum MCB rating	-10
Detection angle	360 °
Detection range (PIR)	ø 20 m from a height of 3 m
Minimum ambient temperature	-5 °C
Maximum ambient temperature	+50 °C
Mounting method	surface mounting
Mounting height	2.5 m – 3.4 m
Colour	white
Dimensions (HxWxD)	127 mm x 127 mm x 59 mm
Protection degree standalone	IP20
Impact resistance	IK02

Dimensions



Wiring diagram

