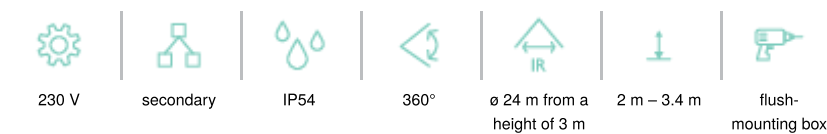


# Presence detector, 230 V, secondary, 24 m, IP54, for flush-mounting box, white

350-20071



This presence or absence detector (360°, secondary) is suitable for flush mounting in ceilings and is used to switch indoor lighting on and off but only in combination with a master. The detector has a circular detection area with a diameter of up to 24 m that can be adjusted using the cover mask. The device follows the settings of the master. The sensitivity of the secondary detector, though, can be set separately. This motion detector has an IP54 protection degree and complies with the European directives for EMC and safety, EN 60669-2-1. A maximum of ten secondary detectors can be connected per master.

Colour: white

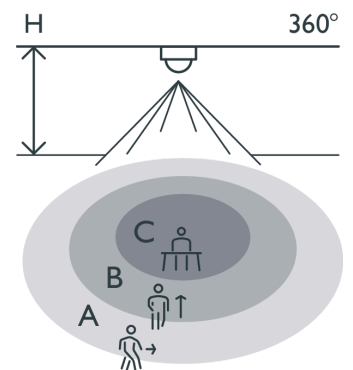
Compatible secondary detectors:

Compatible master detectors: 350-20070, 350-20078, 350-20080, 350-20082

- Simple mounting
- Low power consumption
- Splashproof (IP54)

For use in offices, school buildings, cafeterias, etc.

## Detection range

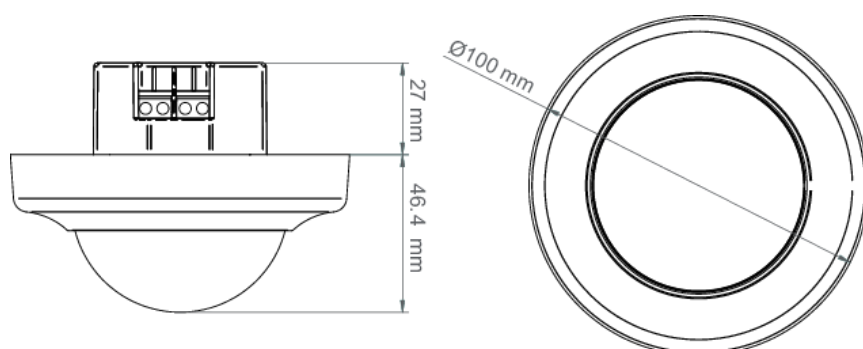


H	A Across	B Towards	C Presence
2 m	ø 16 m	ø 10 m	ø 4 m
2.5 m	ø 20 m	ø 12 m	ø 5 m
3 m	ø 24 m	ø 14.4 m	ø 6 m
3.5 m	ø 28 m	ø 16 m	ø 7 m

## Technical features

attribute.compatiblemasterdetectors	350-20070, 350-20078, 350-20080, 350-20082
Configuration	secondary
Input voltage	230 Vac
Detector output	230 V (ON/OFF)
Maximum MCB rating	-10
Detection angle	360 °
Detection range (PIR)	ø 24 m from a height of 3 m
Minimum ambient temperature	-5 °C
Maximum ambient temperature	+50 °C
Mounting method	flush-mounting box
Mounting height	2 m – 3.4 m
Colour	white
Dimensions visible (HxWxD)	100 mm x 100 mm
Dimensions (HxWxD)	100 mm x 100 mm x 73.4 mm
Protection degree standalone	IP54
Impact resistance	IK04
Modification of settings	Potentiometers or IR remote control

## Dimensions



## Wiring diagram

