

28 649 670 Product version from 3/13/2017



- rain shower Ø 220 mm
- Rain shower material: metal
- PURE RAIN, max. flow rate 14 l/min (at 3 bar)
- Function from: 7 l/min
- quick clearing
- with anti-scale system

technical data:

- 450mm projection
- rosette 65 x 65 mm
- 1/2" connection

Notes:

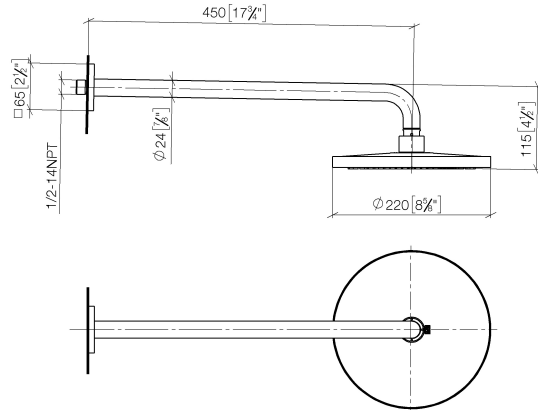
Recommended miscellaneous



- Concealed wall elbow -** 35 085 970 90
- min. recess depth 90 mm
 - max. recess depth 163 mm

28 649 670 Product version from 3/13/2017

mm [inches]



Flow rate chart



Codes & Standards

DIN 4109

ISO 3822

Scottish Water
Byelaws

UK Water Supply
Regulations

Ü-Zeichen



Rainshower with wall fixing 220 mm - Brushed Platinum

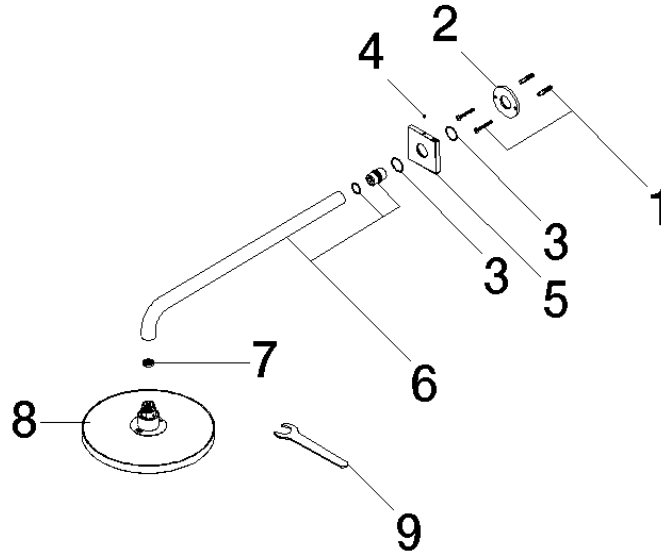
SERIES SPECIFIC

28 649 670 Product version from 3/13/2017

Certificates and sustainability

LGA_38

WRAS_2212



Spare parts list

No.	Item Number	Name	Quantity used	Delivery time
6	90 11 03 070 00-06	Pipe 462 x 61 x 24 mm - Brushed Platinum	1.00	20
9	90 30 09 069 00 90	Spanner -	1.00	14
8	04 12 05 092 00-06	Rainshower round Ø 220 mm - Brushed Platinum	1.00	20
2	09 17 20 120 90	Connection Ø 56,50 x 5 mm -	1.00	14
3	09 14 10 150 90	O-Ring 23 x 1,5 mm -	2.00	14
1	04 30 31 032 00 90	Attachment set Bolt 4 x 35 mm -	1.00	14
7	09 23 01 075 90	Sieve seal Ø 18 x 3,5 mm -	1.00	14
5	09 27 67 015-06	Rosette 65 x 65 x 9 mm - Brushed Platinum	1.00	20
4	90 31 11 038 00 90	Mounting Threaded pin with hexagon socket with cup point M4 x 3 mm -	1.00	14