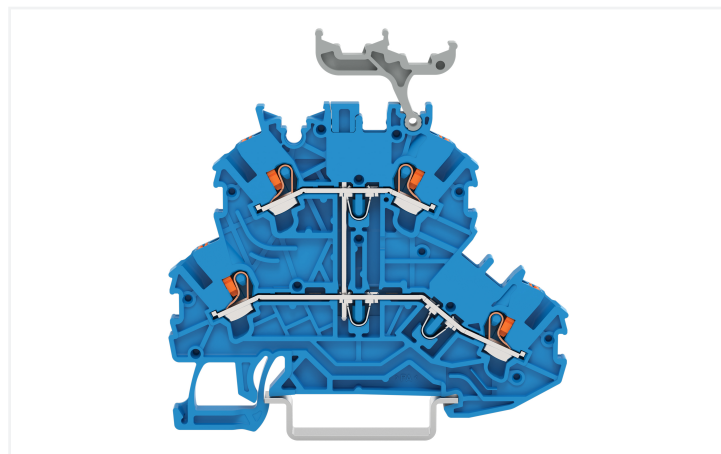
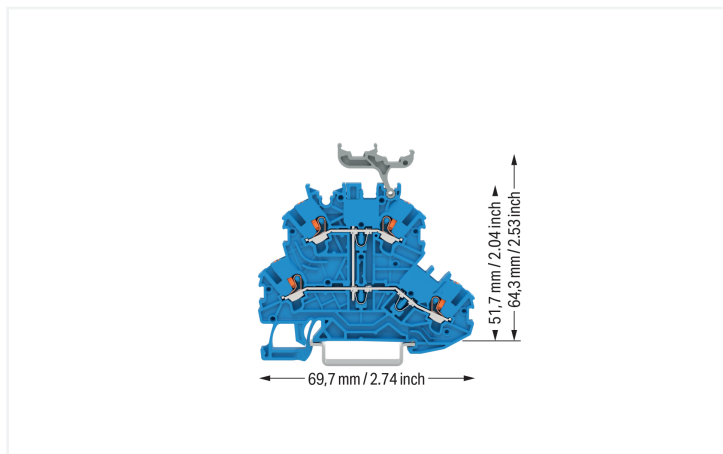


Data Sheet | Item Number: 2200-2234

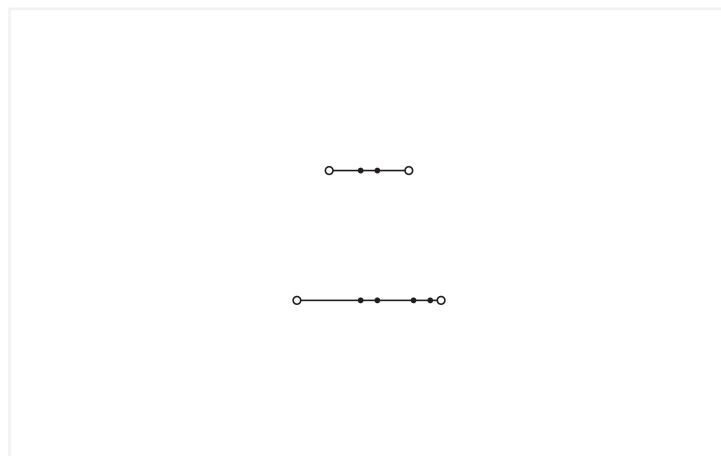
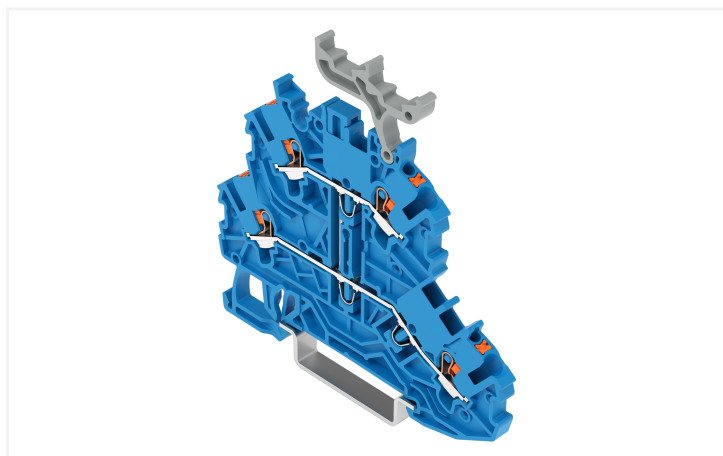
Double-deck terminal block; with push-button; Through/through terminal block; N/ N; with marker carrier; for DIN-rail 35 x 15 and 35 x 7.5; 1 mm²; Push-in CAGE CLAMP®; 1,00 mm²; blue



<https://www.wago.com/2200-2234>



Color: ■ blue



Similar to illustration

Double-deck terminal block, 2200 Series, push-button

Our double-deck terminal block (item number 2200-2234) is designed for seamless electrical installations. Ensure that the strip lengths are between 9 and 11 mm when connecting conductors to this double-deck terminal block. The double-deck terminal block also functions as a through terminal block. This product incorporates conductor terminals and utilizes Push-in CAGE CLAMP®. Push-in CAGE CLAMP® connection technology is ideal for connecting all conductor types. It allows direct insertion of both solid and fine-stranded conductors with ferrules without the need for tools—all thanks to its pluggable design. This double-deck terminal block is suitable for conductor cross sections ranging from 0.14 mm² to 1.5 mm².

This product is designed for specific Ex applications (please refer to the product datasheet).

Electrical data

| Ratings per | IEC/EN 60947-7-1 | | |
|---|------------------|-----|----|
| Overvoltage category | III | III | II |
| Pollution degree | 3 | 2 | 2 |
| Nominal voltage | 500 V | - | - |
| Rated impulse withstand voltage | 6 kV | - | - |
| Rated current | 13.5 A | - | - |
| Current at conductor cross-section (max.) mm ² | 16 A | - | - |

| Approvals per | UL 1059 | | |
|---------------|---------|-------|---|
| Use group | B | C | D |
| Rated voltage | 300 V | 300 V | - |
| Rated current | 10 A | 10 A | - |

| Approvals per | CSA 22.2 No 158 | | |
|---------------|-----------------|-------|---|
| Use group | B | C | D |
| Rated voltage | 300 V | 300 V | - |
| Rated current | 10 A | 10 A | - |

| Ex information | |
|-------------------------------------|---|
| Reference to hazardous areas | See "Downloads – Documentation – Additional Information: Technical Section; Technical Explanations" |
| Ratings per | ATEX: PTB 11 ATEX 1041 U / IECEx: PTB 11.0093U (Ex eb IIC Gb) |
| Rated voltage EN (Ex e II) | 320 V |
| Rated current (Ex e II) | 13 A |
| Rated current (Ex e II) with jumper | 12 A |

Power Loss

| | |
|--|------------------|
| Power loss, per pole (potential) | 0.4338 W |
| Rated current I_N for power loss specification | 13.5 A |
| Resistance value for specified, current-dependent power loss | 0.00238 Ω |

General information

| | |
|------------------|--------------------|
| Wiring direction | Front-entry wiring |
|------------------|--------------------|

Connection Data

| | |
|----------------------------|---|
| Clamping units | 4 |
| Total number of potentials | 2 |
| Number of levels | 2 |
| Number of jumper slots | 4 |

| Connection 1 | |
|--|---|
| Connection technology | Push-in CAGE CLAMP® |
| Number of connection points | 2 |
| Actuation type | Push-button |
| Connectable conductor materials | Copper |
| Nominal cross-section | 1 mm ² |
| Solid conductor | 0.14 ... 1.5 mm ² / 24 ... 16 AWG |
| Solid conductor; push-in termination | 0.5 ... 1.5 mm ² / 20 ... 16 AWG |
| Fine-stranded conductor | 0.14 ... 1.5 mm ² / 24 ... 16 AWG |
| Fine-stranded conductor; with insulated ferrule | 0.14 ... 0.75 mm ² / 24 ... 18 AWG |
| Fine-stranded conductor; with ferrule; push-in termination | 0.5 ... 0.75 mm ² / 20 ... 18 AWG |
| Note (conductor cross-section) | Depending on the conductor characteristic, a conductor with a smaller cross-section can also be inserted via push-in termination. |
| Strip length | 9 ... 11 mm / 0.35 ... 0.43 inches |
| Wiring direction | Front-entry wiring |

Connection 2

| | |
|-----------------------------|---|
| Number of connection points | 2 |
|-----------------------------|---|

Physical data

| | |
|-----------------------------------|------------------------|
| Width | 3.5 mm / 0.138 inches |
| Height | 69.7 mm / 2.744 inches |
| Depth from upper-edge of DIN-rail | 51.7 mm / 2.035 inches |

Mechanical data

| | |
|-------------------|---------------------|
| Potential marking | N/N |
| Mounting type | DIN-35 rail |
| Marking level | Center/side marking |

Material data

| | |
|------------------------------------|--|
| Note (material data) | Information on material specifications can be found here |
| Color | blue |
| Material group | I |
| Insulation material (main housing) | Polyamide (PA66) |
| Flammability class per UL94 | V0 |
| Fire load | 0.178 MJ |
| Weight | 7.9 g |

Environmental requirements

| | |
|----------------------------------|-----------------|
| Processing temperature | -35 ... +85 °C |
| Continuous operating temperature | -60 ... +105 °C |

Commercial data

| | |
|-----------------------|---------------|
| PU (SPU) | 50 pcs |
| Packaging type | Box |
| Country of origin | IN |
| GTIN | 4066966478860 |
| Customs tariff number | 85369010000 |

Product Classification

| | |
|-----------|----------------------|
| UNSPSC | 39121410 |
| ETIM 9.0 | EC000897 |
| ETIM 10.0 | EC000897 |
| ECCN | NO US CLASSIFICATION |

Environmental Product Compliance

| | |
|------------------------|-------------------------|
| RoHS Compliance Status | Compliant, No Exemption |
|------------------------|-------------------------|

Approvals / Certificates

General approvals



| Approval | Standard | Certificate Name |
|---------------------------------------|----------|------------------|
| CSA CSA Group | C22.2 | 70173737 |
| KEMA/KEUR DEKRA Certification B.V. | EN 60947 | 71-134795 |

Declarations of conformity and manufacturer's declarations

| Approval | Standard | Certificate Name |
|---|----------|------------------|
| EU-Declaration of Confor- mity WAGO GmbH & Co. KG | - | - |

Approvals for hazardous areas



| Approval | Standard | Certificate Name |
|---|-------------|---|
| ATEX Physikalisch Technische Bundesanstalt | IEC 60079 | PTB 18 ATEX 1003 U (II 2 G Ex eb II C Gb bzw. I M 2 Ex eb I Mb) |
| CCC CQST/CNEC | GB/T 3836.3 | 2020312313000166 |
| IECEX Physikalisch Technische Bundesanstalt | IEC 60079 | IECEX PTB 18.0010U (Ex eb IIC Gb and Ex eb I Mb) |

Downloads

Environmental Product Compliance

Compliance Search

Environmental Product
Compliance 2200-2234



CAD/CAE-Data

CAD data

2D/3D Models
2200-2234



1 Compatible Products

1.1 Required Accessories

1.1.1 End plate

1.1.1.1 End plate



Item No.: 2000-2291

End plate; 0.7 mm thick; gray

Item No.: 2000-2292

End plate; 0.7 mm thick; orange

1.2 Optional Accessories

1.2.1 DIN-rail

1.2.1.1 Mounting accessories



Item No.: 210-196

Aluminum carrier rail; 35 x 8.2 mm; 1.6 mm thick; 2 m long; unslotted; similar to EN 60715; silver-colored



Item No.: 210-198

Copper carrier rail; 35 x 15 mm; 2.3 mm thick; 2 m long; unslotted; according to EN 60715; copper-colored



Item No.: 210-197

Steel carrier rail; 35 x 15 mm; 1.5 mm thick; 2 m long; slotted; similar to EN 60715; silver-colored



Item No.: 210-114

Steel carrier rail; 35 x 15 mm; 1.5 mm thick; 2 m long; unslotted; similar to EN 60715; silver-colored



Item No.: 210-118

Steel carrier rail; 35 x 15 mm; 2.3 mm thick; 2 m long; unslotted; according to EN 60715; silver-colored



Item No.: 210-115

Steel carrier rail; 35 x 7.5 mm; 1 mm thick; 2 m long; slotted; according to EN 60715; "Hole width 18 mm; silver-colored



Item No.: 210-112

Steel carrier rail; 35 x 7.5 mm; 1 mm thick; 2 m long; slotted; according to EN 60715; "Hole width 25 mm; silver-colored



Item No.: 210-113

Steel carrier rail; 35 x 7.5 mm; 1 mm thick; 2 m long; unslotted; according to EN 60715; silver-colored

1.2.2 Ferrule

1.2.2.1 Ferrule



Item No.: 216-241

Ferrule; Sleeve for 0.5 mm² / 20 AWG; insulated; electro-tin plated; electrolytic copper; gastight crimped; acc. to DIN 46228, Part 4/09.90; white



Item No.: 216-242

Ferrule; Sleeve for 0.75 mm² / 18 AWG; insulated; electro-tin plated; electrolytic copper; gastight crimped; acc. to DIN 46228, Part 4/09.90; gray



Item No.: 216-243

Ferrule; Sleeve for 1 mm² / AWG 18; insulated; electro-tin plated; electrolytic copper; gastight crimped; acc. to DIN 46228, Part 4/09.90; red

1.2.3 Installation

1.2.3.1 Cover



Item No.: 709-156

Cover; Type 3; suitable for cover carrier, type 3; 1 m long; transparent

1.2.3.2 Cover carrier



Item No.: 709-169
 Cover carrier; Type 3; incl. fixing/retaining screws and knurled nut; suitable for 279 to 282 and 880 Series rail-mounted terminal blocks; suitable for 264 Series miniature rail-mounted terminal blocks; suitable for 270 Series sensor and actuator terminal blocks; gray

1.2.4 Jumper

1.2.4.1 Jumper



Item No.: 2000-406/020-000
 Delta jumper; insulated; light gray



Item No.: 2000-410/000-006
 Jumper; 10-way; insulated; blue



Item No.: 2000-410
 Jumper; 10-way; insulated; light gray



Item No.: 2000-410/000-005
 Jumper; 10-way; insulated; red



Item No.: 2000-402/000-006
 Jumper; 2-way; insulated; blue



Item No.: 2000-402
 Jumper; 2-way; insulated; light gray



Item No.: 2000-402/000-005
 Jumper; 2-way; insulated; red



Item No.: 2000-402/000-018
 Jumper; 2-way; insulated; yellow-green



Item No.: 2000-403/000-006
 Jumper; 3-way; insulated; blue



Item No.: 2000-403
 Jumper; 3-way; insulated; light gray



Item No.: 2000-403/000-005
 Jumper; 3-way; insulated; red



Item No.: 2000-404/000-006
 Jumper; 4-way; insulated; blue



Item No.: 2000-404
 Jumper; 4-way; insulated; light gray



Item No.: 2000-404/000-005
 Jumper; 4-way; insulated; red



Item No.: 2000-405/000-006
 Jumper; 5-way; insulated; blue



Item No.: 2000-405
 Jumper; 5-way; insulated; light gray



Item No.: 2000-405/000-005
 Jumper; 5-way; insulated; red



Item No.: 2000-406/000-006
 Jumper; 6-way; insulated; blue



Item No.: 2000-406
 Jumper; 6-way; insulated; light gray



Item No.: 2000-406/000-005
 Jumper; 6-way; insulated; red



Item No.: 2000-407/000-006
 Jumper; 7-way; insulated; blue



Item No.: 2000-407
 Jumper; 7-way; insulated; light gray



Item No.: 2000-407/000-005
 Jumper; 7-way; insulated; red



Item No.: 2000-408/000-006
 Jumper; 8-way; insulated; blue



Item No.: 2000-408
 Jumper; 8-way; insulated; light gray



Item No.: 2000-408/000-005
 Jumper; 8-way; insulated; red



Item No.: 2000-409/000-006
 Jumper; 9-way; insulated; blue



Item No.: 2000-409
 Jumper; 9-way; insulated; light gray



Item No.: 2000-409/000-005
 Jumper; 9-way; insulated; red



Item No.: 2000-440
 Jumper; from 1 to 10; insulated; light gray



Item No.: 2000-433/000-006
 Jumper; from 1 to 3; insulated; blue



Item No.: 2000-433
 Jumper; from 1 to 3; insulated; light gray



Item No.: 2000-433/000-005
 Jumper; from 1 to 3; insulated; red



Item No.: 2000-434
 Jumper; from 1 to 4; insulated; light gray



Item No.: 2000-435
 Jumper; from 1 to 5; insulated; light gray



Item No.: 2000-436
 Jumper; from 1 to 6; insulated; light gray



Item No.: 2000-437
 Jumper; from 1 to 7; insulated; light gray



Item No.: 2000-438
 Jumper; from 1 to 8; insulated; light gray



Item No.: 2000-439
 Jumper; from 1 to 9; insulated; light gray



Item No.: 2000-405/011-000
 Star point jumper; 3-way; insulated; light gray



Item No.: 2000-492
 Vertical jumper; insulated; light gray



Item No.: 210-103
 Wire commoning chain; insulated; black



Item No.: 210-123
 Wire commoning chain; insulated; blue

1.2.5 Marking

1.2.5.1 Marker



Item No.: 793-3501

WMB marking card; as card; plain; snap-on type; white



Item No.: 2009-113/000-006

WMB-Inline; for Smart Printer; 2300 pieces on roll; plain; snap-on type; blue



Item No.: 2009-113/000-007

WMB-Inline; for Smart Printer; 2300 pieces on roll; plain; snap-on type; gray



Item No.: 2009-113/000-023

WMB-Inline; for Smart Printer; 2300 pieces on roll; plain; snap-on type; green



Item No.: 2009-113/000-017

WMB-Inline; for Smart Printer; 2300 pieces on roll; plain; snap-on type; light green



Item No.: 2009-113/000-012

WMB-Inline; for Smart Printer; 2300 pieces on roll; plain; snap-on type; orange



Item No.: 2009-113/000-005

WMB-Inline; for Smart Printer; 2300 pieces on roll; plain; snap-on type; red



Item No.: 2009-113/000-024

WMB-Inline; for Smart Printer; 2300 pieces on roll; plain; snap-on type; violet



Item No.: 2009-113

WMB-Inline; for Smart Printer; 2300 pieces on roll; plain; snap-on type; white



Item No.: 2009-113/000-002

WMB-Inline; for Smart Printer; 2300 pieces on roll; plain; snap-on type; yellow

1.2.5.2 Marker carrier



Item No.: 2000-121

Adaptor; gray

1.2.5.3 Marking strip



Item No.: 2009-110

Marking strips; for Smart Printer; on reel; not stretchable; plain; snap-on type; white

1.2.6 Protective warning marker

1.2.6.1 Cover



Item No.: 2000-115

Protective warning marker; for 5 terminal blocks; with high-voltage symbol, black; yellow

1.2.7 Push-in type wire jumper

1.2.7.1 Jumper



Item No.: 2009-404

Push-in type wire jumper; 0.75 mm²; insulated; 110 mm long; gray



Item No.: 2009-406

Push-in type wire jumper; 0.75 mm²; insulated; 250 mm long; gray



Item No.: 2009-402

Push-in type wire jumper; 0.75 mm²; insulated; 60 mm long; gray

1.2.8 Screwless end stop

1.2.8.1 Mounting accessories



Item No.: 249-117

Screwless end stop; 10 mm wide; for DIN-rail 35 x 15 and 35 x 7.5; gray



Item No.: 249-116

Screwless end stop; 6 mm wide; for DIN-rail 35 x 15 and 35 x 7.5; gray

1.2.9 Test and measurement

1.2.9.1 Testing accessories



Item No.: 2009-174

Test plug adapter; for 4 mm Ø test plugs; for testing TOPJOB®S rail-mounted terminal blocks; gray



Item No.: 2009-182

Testing tap; for max. 2.5 mm²; tool-free connection for individual test wires 0.08 - 2.5 mm; gray

1.2.10 Tool

1.2.10.1 Operating tool



Item No.: 210-719

Operating tool; Blade: 2.5 x 0.4 mm; with a partially insulated shaft



Item No.: 210-648

Operating tool; Blade: 2.5 x 0.4 mm; with a partially insulated shaft; angled; short

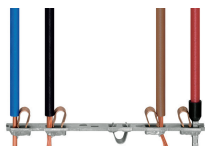


Item No.: 210-647

Operating tool; Blade: 2.5 x 0.4 mm; with a partially insulated shaft; multicoloured

Installation Notes

Conductor termination



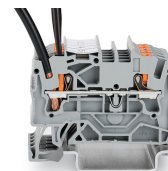
All conductor types at a glance



Push-in termination of solid and ferruled conductors

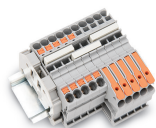


Insert fine-stranded conductors via operating tool.



Removing all conductors via operating tool.

Commoning



Insert a push-in type jumper bar and push down until it hits the backstop.



Commoning with step-down jumpers.

Testing



Testing with a 2 mm Ø test plug (max. 42 V).