

PV Maintenance switch

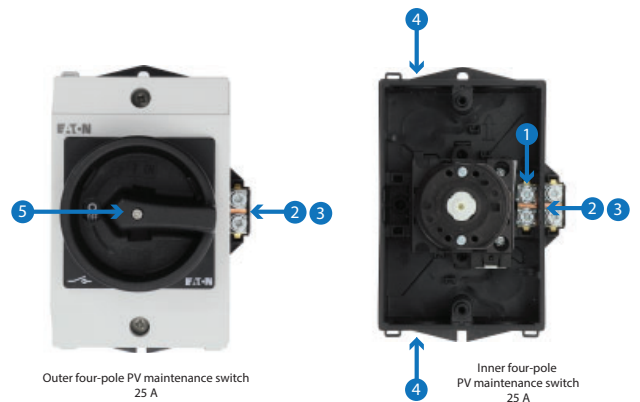


Product description

Eaton's PV maintenance switch has been purpose built for use in PV installations. We collaborated with installers and used their feedback to design the best solution possible for PV applications.

Features and benefits

- 1 The PV Maintenance switch has two coupled protective conductor terminals, which allow two wires with different cross sections to be connected internally and externally making the installation faster
- 2 The PV Maintenance switch does not need to be opened to connect the earth wire/equalization line of the PV installation, ensuring a safer, faster and easier installation
- 3 The two coupled protective conductor terminals allow AC and DC earthing line to be installed separately, for ease of installation
- 4 The push-through cable membrane reduces installation times considerably, but cable glands can also be used if preferred
- 5 The PV Maintenance switch can be locked in the off position, with padlocks, for a safer working environment



Powering Business Worldwide

Effective June 2022

Catalogue symbol

Part number	Article number	Number of poles	Rated current
PV-20A-2P-AC-I1/SVB-SW	199535	2-pole	20 A
PV-25A-4P-AC-I2/SVB-SW/N	199536	4-pole	25 A
PV-32A-2P-AC-I1/SVB-SW	199537	2-pole	32 A

Pack quantity: 1

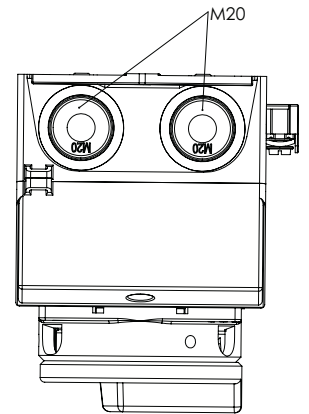
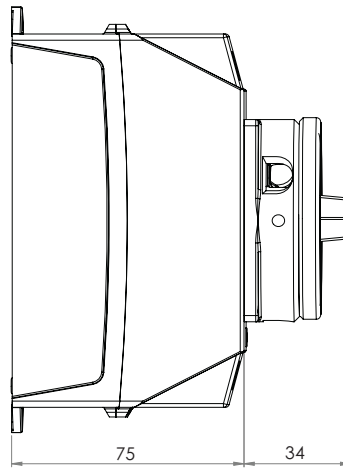
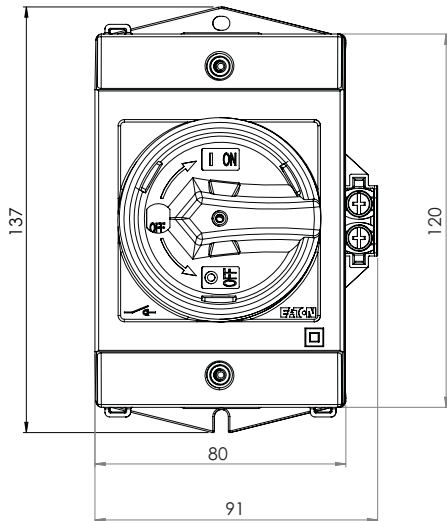
Technical data

Article number		199535	199536	199537
Part number		PV-20A-2P-AC-I1/SVB-SW	PV-25A-4P-AC-I2/SVB-SW/N	PV-32A-2P-AC-I1/SVB-SW
Rated uninterrupted current		20	25	32
Rated operational voltage		690	690	690
Rated impulse withstand voltage		6000	6000	6000
Rated frequency		50-60Hz	50-60Hz	50-60Hz
Temperature		-25 - +40°C	-25 - +40°C	-25 - +40°C
Rated operational current				
AC-21 A	At $U_e = 400\text{ V}$	20 A	25 A	32 A
AC-23 A	At $U_e = 415\text{ V}$	13.3 A	25 A	32 A
	At $U_e = 500\text{ V}$	13.3 A	17.4 A	26.4 A
	At $U_e = 690\text{ V}$	7.6 A	12.6 A	17 A
Rated breaking capacity				
AC-23 A	At $U_e = 415\text{ V}$	110	150	260
	At $U_e = 500\text{ V}$	80	170	240
	At $U_e = 690\text{ V}$	60	150	170
Rated short-time withstand current	I_{cw}	320 A rms	640 A rms	600 A rms
Short-circuit rating				
Fuse link max		20A gG/gL	25A gG/gL	32A gG/gL
Durability - maximum cycles (on+off)		>40000	>30000	>50000
Overvoltage category/Pollution degree		III/3	III/3	III/3
Protection class		IP20	IP20	IP20
Max terminal capacities		2.5mm ²	6mm ²	6mm ²

Dimensions

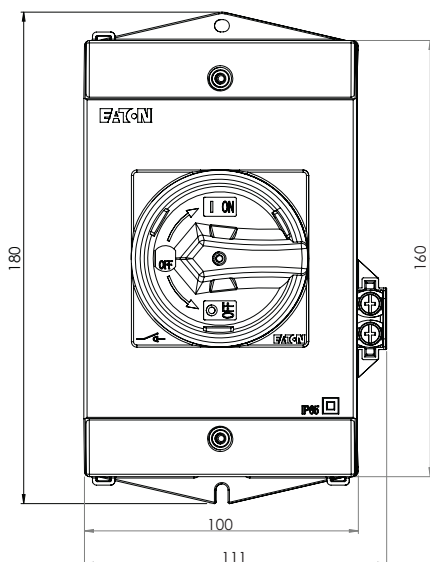
Article number: 199535

Part number: PV-20A-2P-AC-I1/SVB-SW



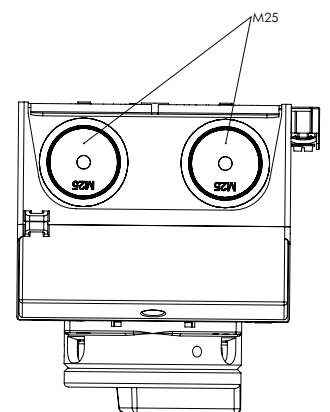
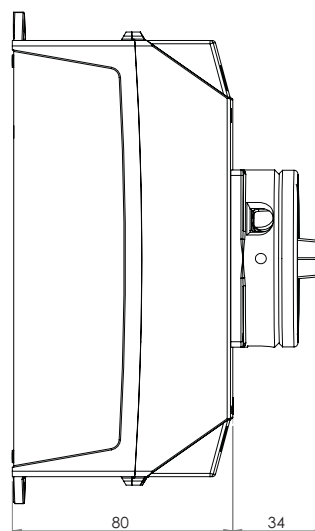
Article number: PV-25A-4P-AC-I2/SVB-SW/N

Part number: 199536



Article number: PV-32A-2P-AC-I2/SVB-SW

Part number: 199537



The only controlled copy of this data sheet is the electronic read-only version located on the Eaton network drive. All other copies of this document are by definition uncontrolled. This bulletin is intended to clearly present comprehensive product data and provide technical information that will help the end user with design applications. Eaton reserves the right, without notice, to change design or construction of any products and to discontinue or limit distribution of any products. Eaton also reserves the right to change or update, without notice, any technical information contained in this bulletin. Once a product has been selected, it should be tested by the user in all possible applications.

Changes to the products, to the information contained in this document, and to prices are reserved; so are errors and omissions. Only order confirmations and technical documentation by Eaton is binding. Photos and pictures also do not warrant a specific layout or functionality. Their use in whatever form is subject to prior approval by Eaton. The same applies to Trademarks (especially Eaton, Moeller, and Cutler-Hammer). The Terms and Conditions of Eaton apply, as referenced on Eaton Internet pages and Eaton order confirmations.

Eaton
EMEA Headquarters
Route de la Longeraie 7
1110 Morges, Switzerland

Electrical Sector
Eaton Electrical Products Limited
Unit 1, Hawker Business Park
Melton Road, Burton-on-the-Wolds
LE12 5TH, UK
Eaton.com

© 2022 Eaton
All Rights Reserved
PDF Only
Publication No. TD123005EN
June 2022