

83 500 979 Product version from 7/1/2023

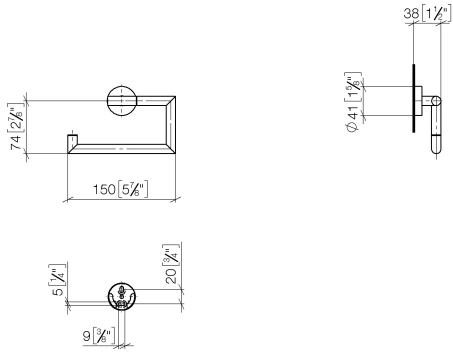


- width 150mm
- height 95 mm
- rosette Ø 40 mm
- 40mm projection

	Matte Black	83 500 979-33
	Chrome	83 500 979-00
	Brushed Platinum	83 500 979-06
	Dark Chrome	83 500 979-19
	Light Gold (PVD)	83 500 979-26
	Brushed Light Gold (PVD)	83 500 979-27
	Brushed Gold (PVD)	83 500 979-37
	Brushed Dark Brass (PVD)	83 500 979-39
	Brushed Bronze (PVD)	83 500 979-42
	Brushed Dark Bronze (PVD)	83 500 979-43
	Brushed Champagne (22kt Gold)	83 500 979-46
	Champagne (22kt Gold)	83 500 979-47
	Brushed Chrome	83 500 979-93
	Brushed Dark Platinum	83 500 979-99

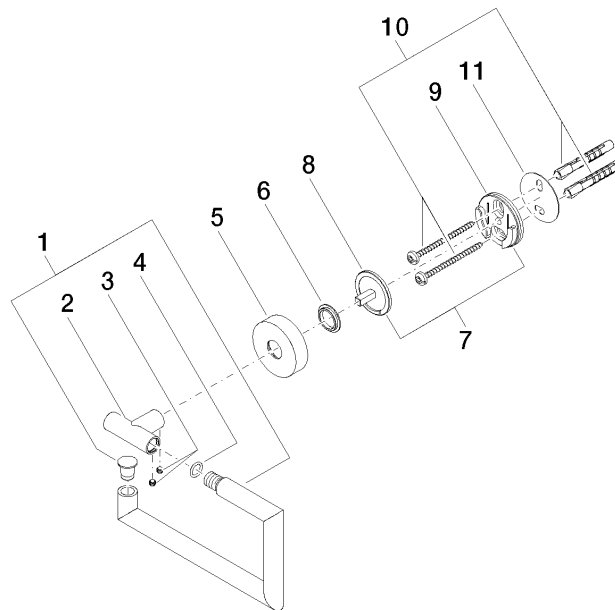
83 500 979 Product version from 7/1/2023

mm [inches]



83 500 979 Product version from 7/1/2023

Parts for other finishes can be found here: [Chrome](#)



Spare parts list

No.	Item Number	Name	Quantity used	Delivery time
2	05 17 97 561 01-33	Holder for toilet roll holder without cover 31 x 13 x 40 mm - Matte Black	1.00	40
11	05 30 11 519 00 90	Mounting Damper Ø 36 x 1 mm -	1.00	14
8	08 17 97 559 90	Holder two-piece Ø 32 x 16 mm -	1.00	14
9	08 17 97 501 07	Holder Ø 38 x 9 mm -	1.00	14
6	08 30 11 516 90	Ring Ø 20 x 3 mm -	1.00	14
3	90 31 11 038 00 90	Mounting Threaded pin with hexagon socket with cup point M4 x 3 mm -	2.00	14
7	05 17 97 501 01 90	Wall bracket + holder (square) 35 x 35 x 20 mm -	1.00	14
4	90 14 10 060 00 90	O-Ring 8,0 x 1,5 mm -	1.00	14
1	90 28 22 626 00-33	Holder 150 x 80 x 13 mm - Matte Black	1.00	40
10	05 30 31 025 00 90	Mounting Bolt Round head 4,5 x 60 mm -	1.00	14
5	08 27 97 500-33	Rosette Ø 40,5 x 11 mm - Matte Black	1.00	40