

TARA Single-hole basin mixer with raised base without pop-up waste - Brushed Platinum

TARA

22 533 892 Product version from 6/30/2009 to 5/27/2021



- 200mm projection
- pivotable spout 360°
- circular, air-enriched flow
- height of mixer 425 mm
- height up to aerator 280 mm
- hole diameter 35 mm
- rosette Ø 59 mm
- 2x screw-in M 10 x 1 pressure hose, leak-tested
- max. flow 7 l/min
- lead-free
- This product can help a building meet the requirements of Green Building Rating Systems, e.g. LEED®, BREEAM®, DGNB
- WRAS

for use on bowl sink.

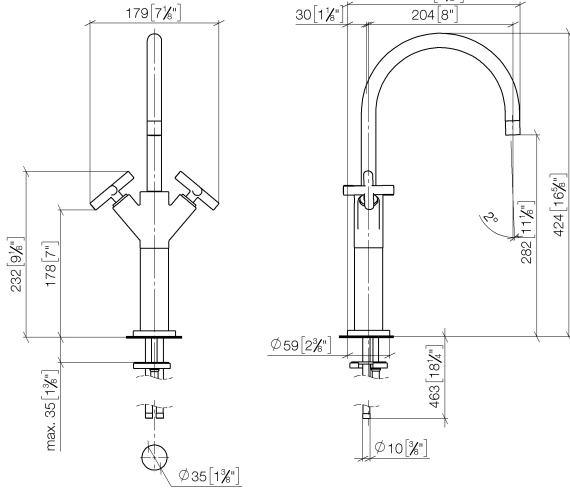
	Brushed Platinum	22 533 892-06
	Chrome	22 533 892-00
	Platinum	22 533 892-08
	Dark Chrome	22 533 892-19
	Brushed Durabronze (23kt Gold)	22 533 892-28
	Matte Black	22 533 892-33
	Brushed Gold (PVD)	22 533 892-37
	Brushed Dark Brass (PVD)	22 533 892-39
	Brushed Bronze (PVD)	22 533 892-42
	Brushed Dark Bronze (PVD)	22 533 892-43
	Brushed Champagne (22kt Gold)	22 533 892-46
	Champagne (22kt Gold)	22 533 892-47
	Brushed Chrome	22 533 892-93
	Brushed Dark Platinum	22 533 892-99

TARA Single-hole basin mixer with raised base without pop-up waste - Brushed Platinum

TARA

22 533 892 Product version from 6/30/2009 to 5/27/2021

mm [inches]



Flow rate chart



Codes & Standards

DIN 4109

EN 200

Executive Order
no. 1007

ISO 3822

Scottish Water
Byelaws

UK Water Supply
Regulations

Ü-Zeichen

VA-Zeichen



TARA Single-hole basin mixer with raised base without pop-up waste - Brushed
Platinum

TARA

22 533 892 Product version from 6/30/2009 to 5/27/2021

Certificates and sustainability

ETA_18

WRAS_240702

LGA_18

GDV_0400

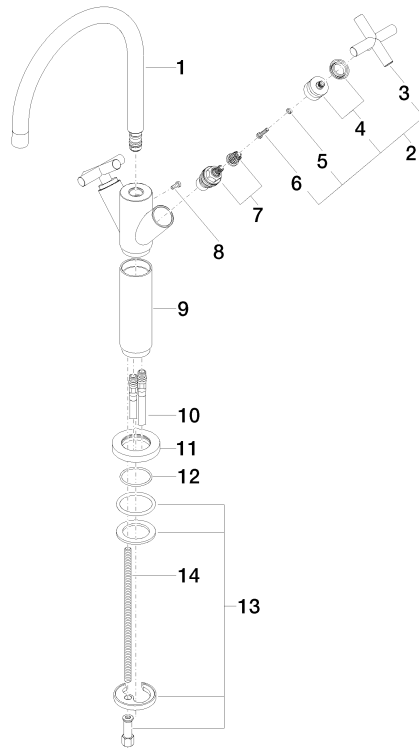
EPD-DOR-20230287
-IBA1-EN
Environmental.prod
uct-declarat

TARA Single-hole basin mixer with raised base without pop-up waste - Brushed Platinum

TARA

22 533 892 Product version from 6/30/2009 to 5/27/2021

Parts for other finishes can be found here: [Chrome](#)



Spare parts list

No.	Item Number	Name	Quantity used	Delivery time
12	09 14 10 134 90	O-Ring 35,2 x 2,2 mm -	1.00	14
8	09 30 30 054 90	Mounting Cylinder head screw with hexagon socket with low profile M4 x 10 mm -	1.00	14
7	90 90 03 151 00 90	Head part clockwise closing 1/2" -	2.00	14
3	09 20 89 010-06	Handle 70 x 70 x 22,5 mm - Brushed Platinum	2.00	-
Spare part can no longer be ordered, please order the replacement item				
	90208901010-06	Handle TARA - Brushed Platinum		
14	09 31 11 000 90	Mounting Threaded bolt M8 x 200 mm -	1.00	14
4	90 12 12 007 00-06	Handle Socket retainer Ø 29 x 26 mm - Brushed Platinum	2.00	20
2	90 20 89 010 10-06	Handle TARA - Brushed Platinum	2.00	20
9	09 18 40 063-06	Sleeve Ø 39,5 x 124 mm - Brushed Platinum	1.00	20
1	90 28 22 214 01-06	Spout 200 mm, 7 l/min. - Brushed Platinum	1.00	-
Spare part can no longer be ordered, please order the replacement item				
5	90 30 11 029 00 90	Connection Spring lock washer Ø 4 -	2.00	14
6	90 30 30 075 00 90	Mounting Cylinder head screw with hexagon socket Low profile M4 x 20 mm -	2.00	14
10	04 30 04 105 00 90	High pressure hose M10x1 x 3/8" x 600 mm -	2.00	14
11	09 28 10 132-06	Rosette Ø 59 x Ø 35 x 9 mm - Brushed Platinum	1.00	20
13	04 30 11 038 00 90	Mounting with O-ring Ø40 x 4mm Ø 52 x 1,5 mm -	1.00	14