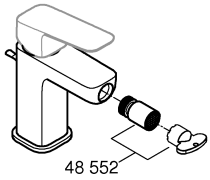


Z	106 013	106 018
W	46 580	106 017

	07 052	180mm	*19 017	
	*07 341	350mm		





DIN EN
806

DIN EN
1717

DIN
1988

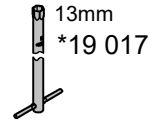
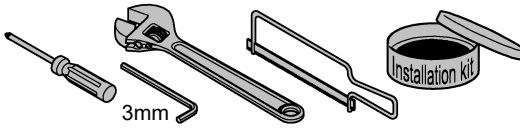
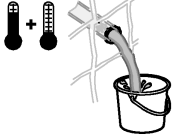


bar

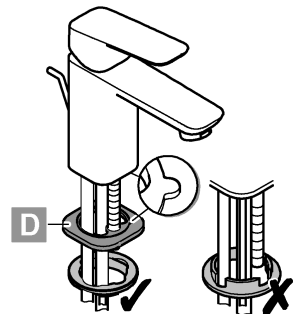
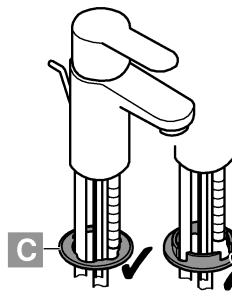
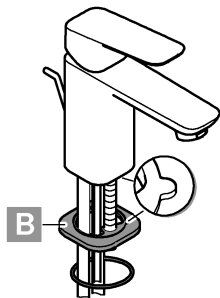
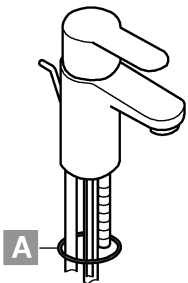
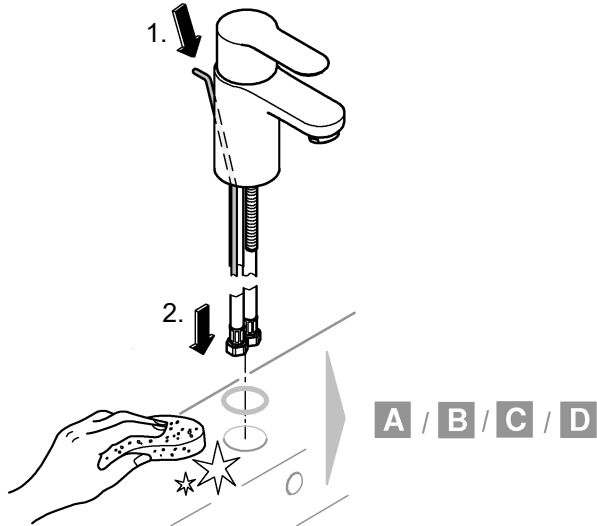
max. 10
0,5 5 1



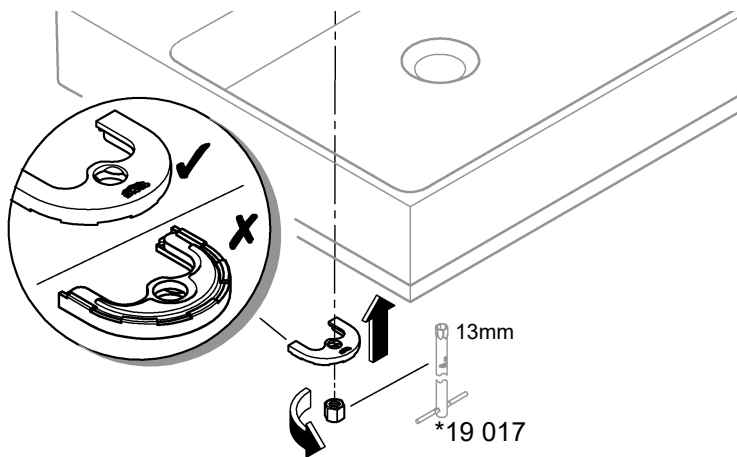
max. 70°
60°



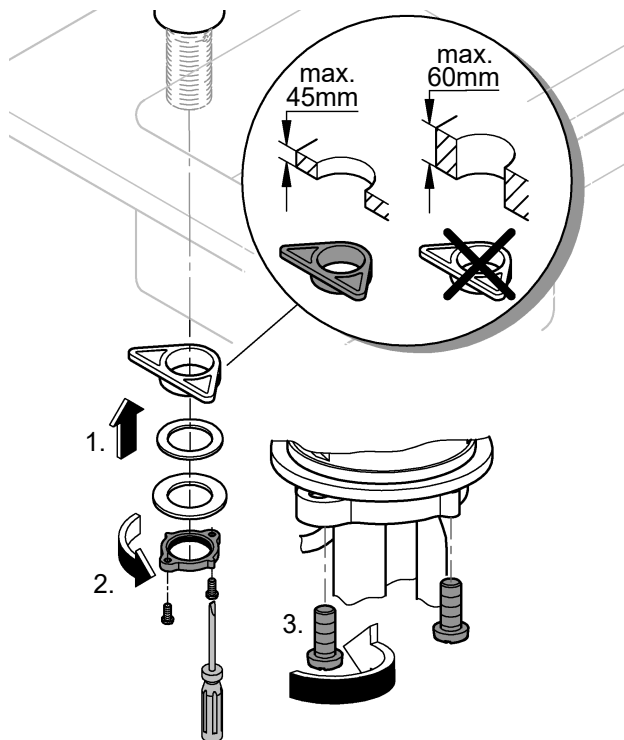
1

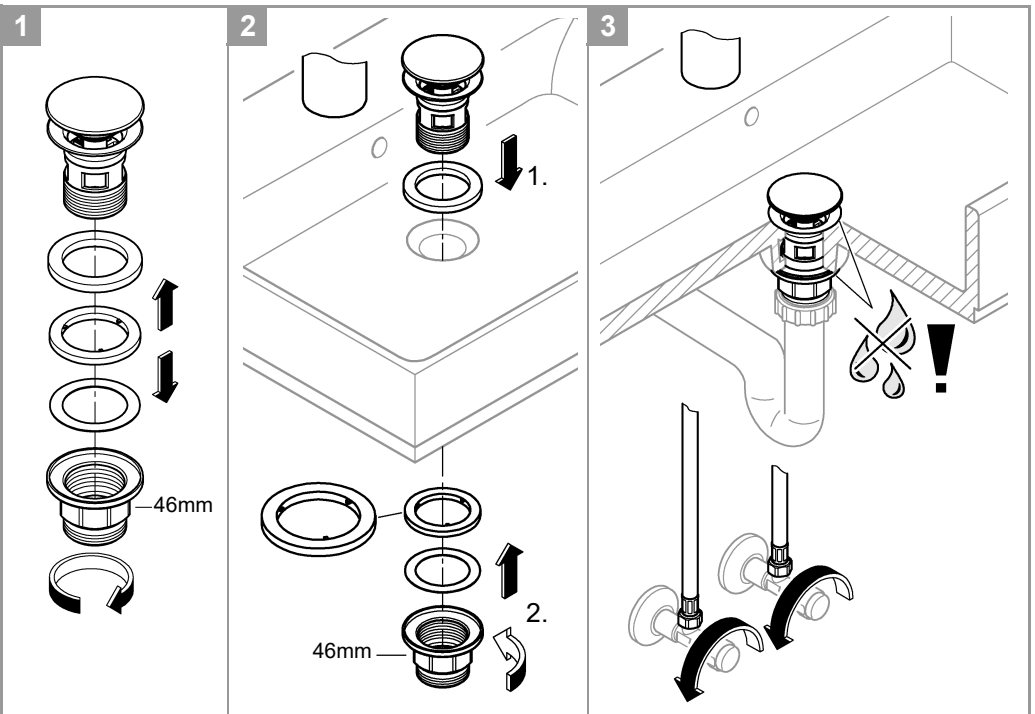
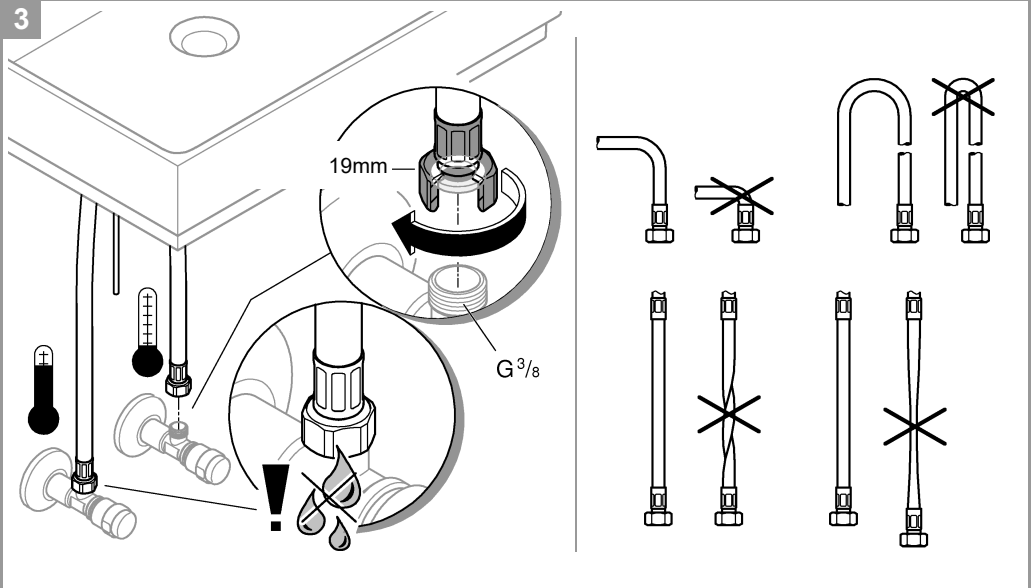


2a



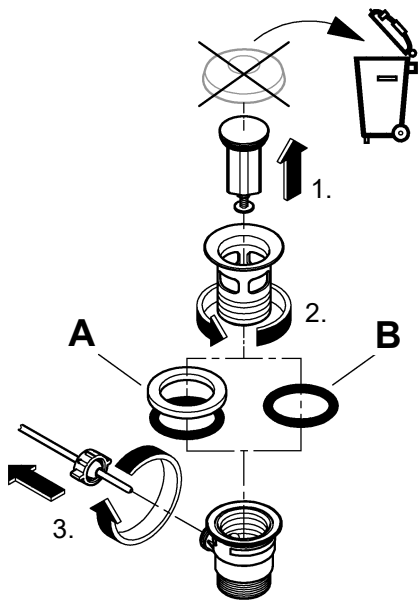
2b



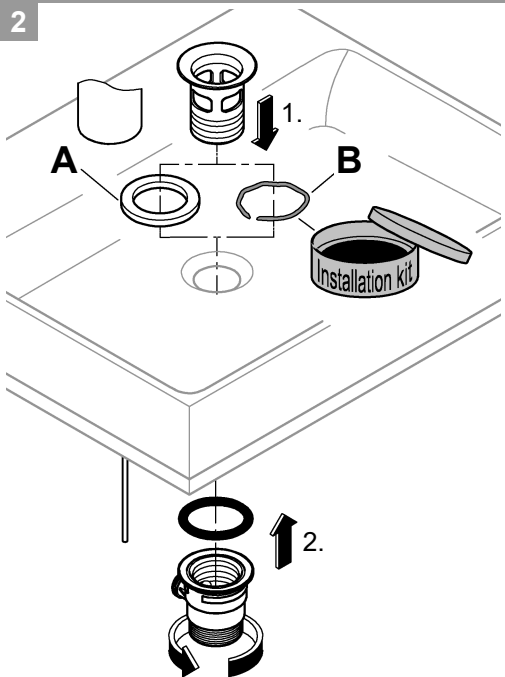




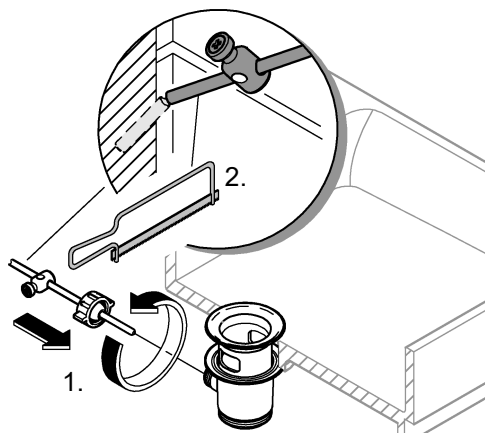
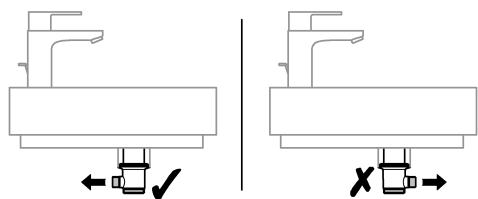
1



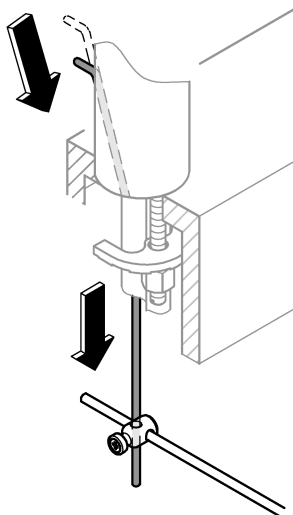
2



3

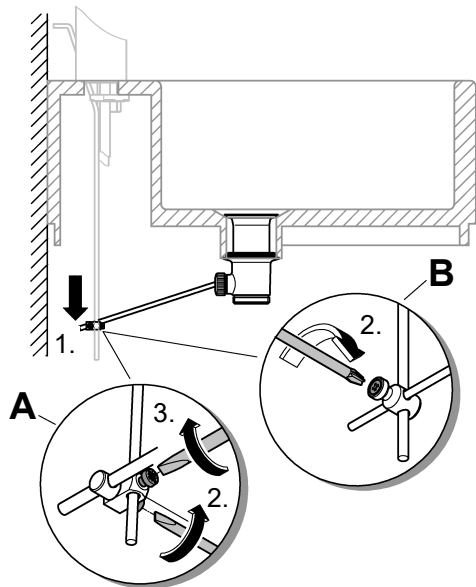


4

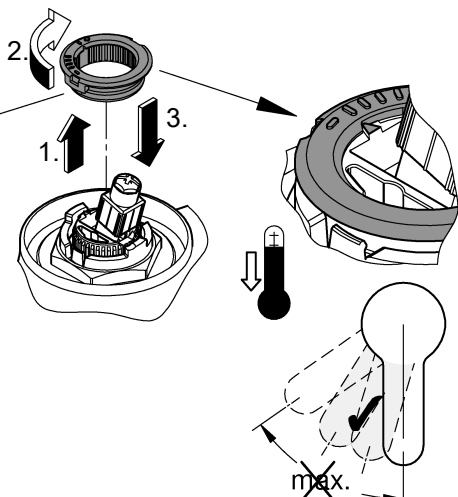
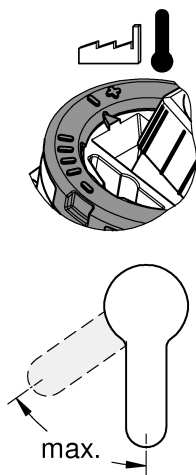
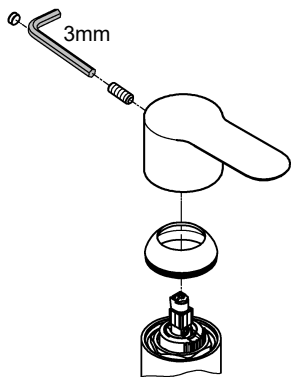
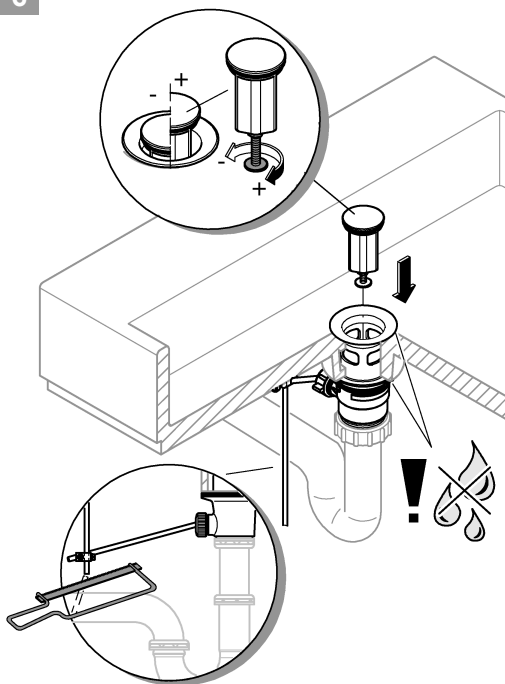


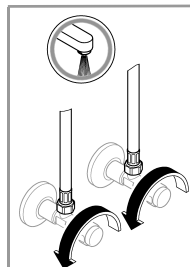
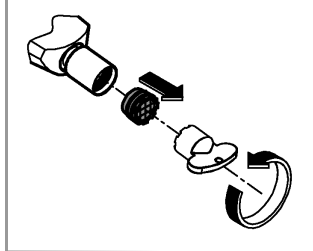
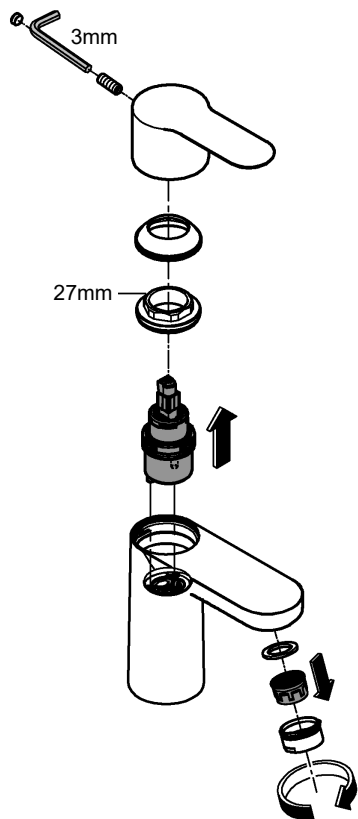
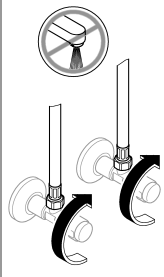
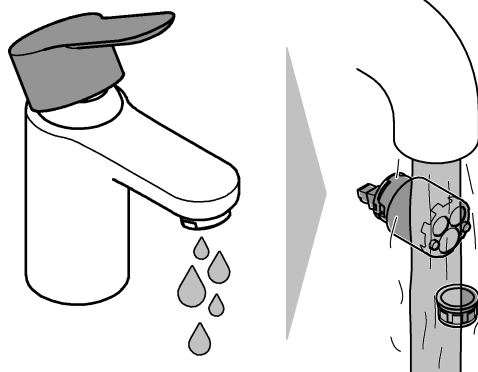


5



6







A series of horizontal lines for writing, consisting of 20 evenly spaced lines extending across the width of the page.

