

Presence detector, 230 V, secondary, 12 m, flat, for flush mounting, white

350-41601

4 year warranty

This secondary detector operates in conjunction with a master. Simple installation and easy mounting thanks to spring clips. The detector has a very flat design of only 5 mm, so that it can be mounted almost flush with the ceiling. The secondary detector follows the settings of the master.

Finishing colour: white

Compatible master detectors: 350-41600, 350-41620

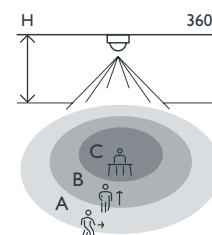
- Simple installation
- Easy to mount thanks to its spring clamps
- It can be integrated practically level on the ceiling thanks to its ultra-flat design of barely 5 mm.

For use in small rooms, offices, storage rooms, etc.

- The detector is only suitable for controlling indoor lighting.



Detection range



H	A Across	B Towards	C Presence
2.5 m	∅ 8 m	∅ 4 m	∅ 3 m
3 m	∅ 12 m	∅ 6 m	∅ 4 m



230 V



secondary



360°



∅ 12 m from
a height of
3 m



2.4 – 3 m



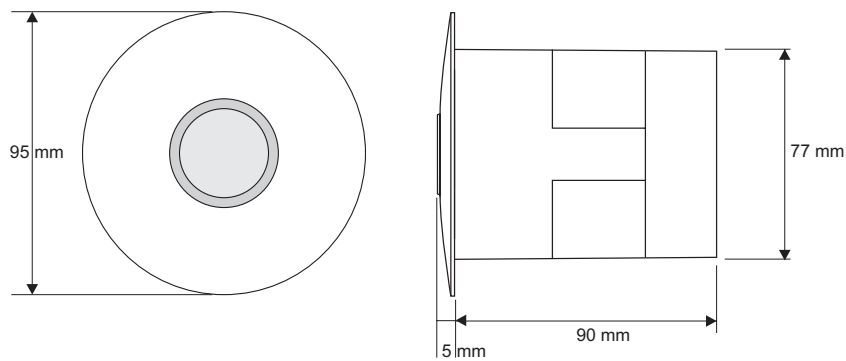
flush-
mounting

niko

Technical data

Article number	350-41601
Compatible master detectors	350-41600, 350-41620
Input voltage	230 Vac \pm 10 %, 50 Hz
Detector output	230 V (ON/OFF)
Maximum MCB rating	10 A (limited by national installation rules)
Detection angle	360 °
Detection range (PIR)	\varnothing 12 m from a height of 3 m
Ambient temperature	-5 – +40 °C
Mounting method	flush-mounting
Mounting height	2.4 – 3 m
Drill diameter	77 mm
Dimensions visible (HxWxD)	95 x 95 x 5 mm
Dimensions (HxWxD)	95 x 95 x 95 mm
Protection degree	IP20
Marking	CE

Dimensions



Wiring diagram

