

# Data Sheet | Item Number: 713-1498/037-000

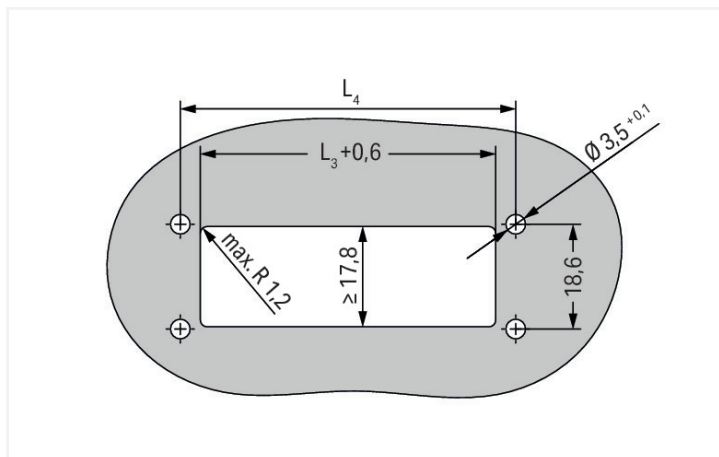
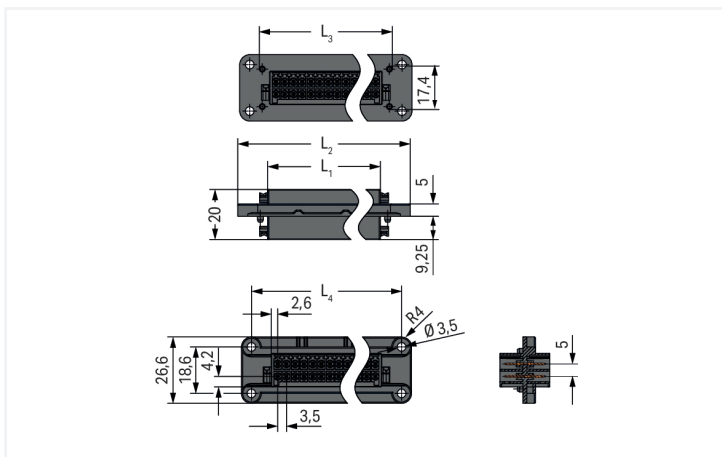
Panel feedthrough male connector; 100% protected against mismatching; 36-pole;  
Pin spacing 3.5 mm; black

<https://www.wago.com/713-1498/037-000>



Color: ■ black

Similar to illustration



$$L1 = [(pole\ no./2) - 1] \times pin\ spacing + 5.2\ mm \\ L2 = L1 + 23.9\ mm \\ L3 = L1 + 8.2\ mm \\ L4 = L1 + 15.9\ mm$$

$$L3 = [(pole\ no./2) - 1] \times pin\ spacing + 5.2\ mm + 8.2\ mm \\ L4 = [(pole\ no./2) - 1] \times pin\ spacing + 5.2\ mm + 15.9\ mm$$

Male connector, 713 Series, black

This male connector (item number 713-1498/037-000) simplifies electrical installations. The dimensions are (88.5 x 26.6 x 20) mm (width x height x depth).

The contact surface is coated with tin.

## Notes

## Safety Information

The MCS – MULTI CONNECTION SYSTEM includes connectors without breaking capacity in accordance with DIN EN 61984. When used as intended, these connectors must not be connected/disconnected when live or under load. When used as intended, these connectors must not be connected/disconnected when live or under load. The circuit design should ensure header pins, which can be touched, are not live when unmated.

## Electrical data

Ratings per	IEC/EN 60664-1			Approvals per	UL 1059		
Overtoltage category	III	III	II	Use group	B	C	D
Pollution degree	3	2	2	Rated voltage	300 V	50 V	-
Nominal voltage	80 V	160 V	250 V	Rated current	10 A	10 A	-
Rated impulse withstand voltage	2.5 kV	2.5 kV	2.5 kV				
Rated current	10 A	10 A	10 A				

Approvals per	CSA		
Use group	B	C	D
Rated voltage	300 V	-	-
Rated current	10 A	-	-

## Connection Data

Total number of potentials	36	<b>Connection 1</b>	
Number of connection types	1	Pole number	36
Number of levels	2		

## Physical data

Pin spacing	3.5 mm / 0.138 inches
Width	88.5 mm / 3.484 inches
Height	26.6 mm / 1.047 inches
Depth	20 mm / 0.787 inches

## Mechanical data

Variable coding	No
Mounting type	DIN-35 rail
Anti-rotation protection	Yes

## Plug-in connection

Contact type (pluggable connector)	Male connector/plug
Connector (connection type)	for pluggable connector
Mismating protection	Yes
Locking of plug-in connection	Locking lever

### Material data

Note (material data)	<a href="#">Information on material specifications can be found here</a>
Color	black
Material group	I
Insulation material (main housing)	Glass fiber-reinforced polyamide (PA66 GF)
Flammability class per UL94	V0
Contact material	Electrolytic copper (E <sub>Cu</sub> )
Contact Plating	Tin
Fire load	0 MJ
Weight	18.6 g

### Environmental requirements

Limit temperature range	-60 ... +100 °C
Processing temperature	-35 ... +60 °C

### Commercial data

PU (SPU)	10 pcs
Packaging type	Box
Country of origin	PL
GTIN	4055143895743
Customs tariff number	85366930000

### Product Classification

UNSPSC	39121409
ETIM 9.0	EC002637
ETIM 10.0	EC002637
ECCN	NO US CLASSIFICATION

### Environmental Product Compliance

RoHS Compliance Status	Compliant, No Exemption
------------------------	-------------------------

### Approvals / Certificates

#### General approvals



Approval	Standard	Certificate Name
CB DEKRA Certification B.V.	IEC 61984	NL-102427
CSA CSA Group	C22.2	2315087
KEMA/KEUR DEKRA Certification B.V.	EN 61984	71-133740
UL Underwriters Laboratories Inc.	UL 1059	UL-US- L45172-6187124-22905991-1

## Downloads

### Environmental Product Compliance

#### Compliance Search

Environmental Product  
Compliance  
713-1498/037-000



## Documentation

### Additional Information

Technical Section

03.04.2019

pdf

2027.26 KB



## CAD/CAE-Data

### CAD data

2D/3D Models  
713-1498/037-000



## Installation Notes

### Application

