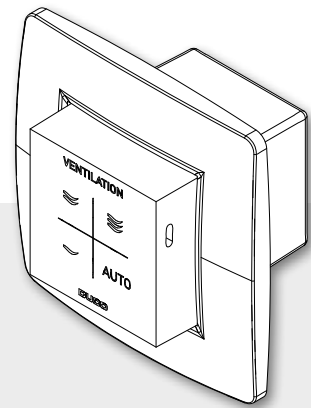


# TECHNICAL DATA SHEET

## User controller



Optional component within DUCO's demand-controlled ventilation systems.

The ventilation system can be controlled as required via the push buttons on the control switch. The control switch is available in 2 versions: either battery-powered, exclusively wireless via RF; or 230VAC/24VDC, wireless via RF or Wired.

### Physical characteristics

<b>Article number + colour</b>	0000-4175 (Black) – RF/Bat 0000-4600 (White) – RF/Bat 0000-4601 (Black) – RF-Wired/230VAC-24VDC 0000-4602 (White) – RF-Wired/230VAC-24VDC
<b>Width x Height x Depth (mm)</b>	Battery 69 x 69 x 17 (excl. cover plate) 83 x 83 x 17 (incl. cover plate) 230VAC – 24VDC 69 x 69 x 55.5 (excl. cover plate) 83 x 83 x 55.5 (incl. cover plate)
<b>Weight</b>	RF/Wired: 179 grams RF/BAT: 38 grams
<b>Material</b>	Polycarbonate-ABS
<b>Display</b>	Battery > 1 RGB LED 230VAC-24VDC > 4 RGB LEDs
<b>Operation</b>	3 positions + automatic control
<b>Suitable for use with</b>	DucoBox Silent (Connect) (FR) DucoBox Focus / DucoBox Hygro Plus DucoBox Energy DucoBox Eco

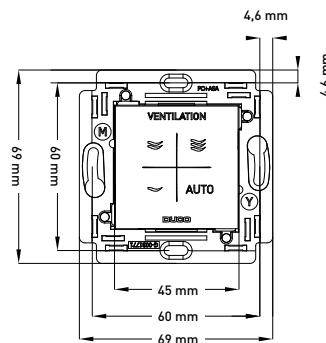
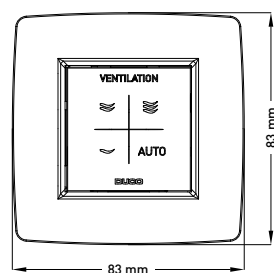
### Electrical characteristics

<b>Power supply + communication</b>	Battery > wireless ('RF') 230VAC > wireless ('RF') 24VDC > Wired
<b>Peak power</b>	1,2 W*
<b>Reverse polarity protection</b>	Graetz bridge*
<b>IP class</b>	IP 31

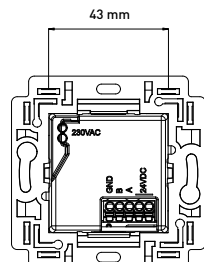
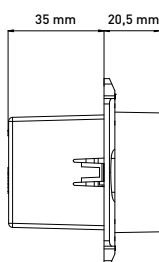
\*Applicable only to RF-Wired/230VAC-24VDC

### Operating conditions

<b>Temperature</b>	0°C - 40°C
<b>Humidity</b>	Not water-resistant



RF-WIRED / 230VAC - 24VDC



RF/Battery

