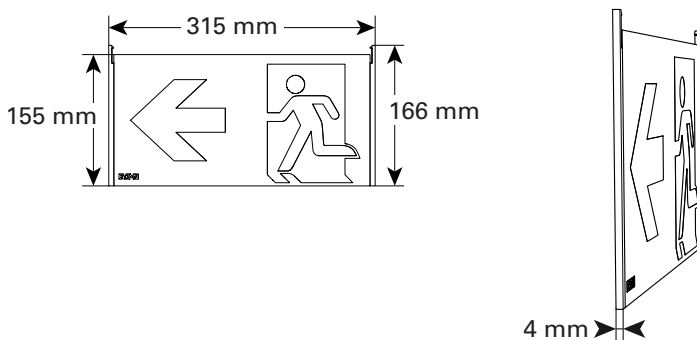
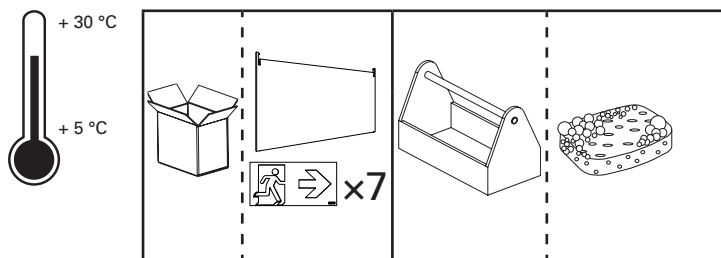
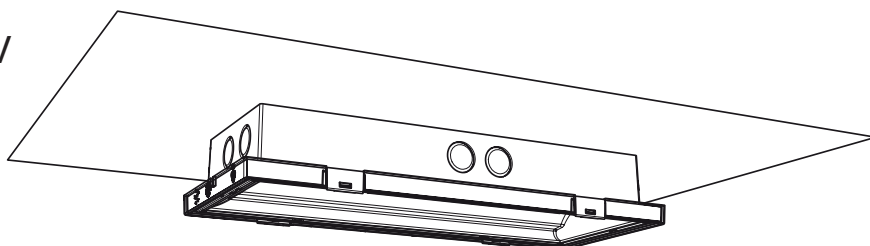
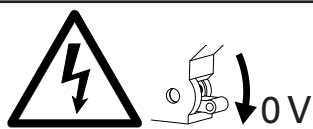


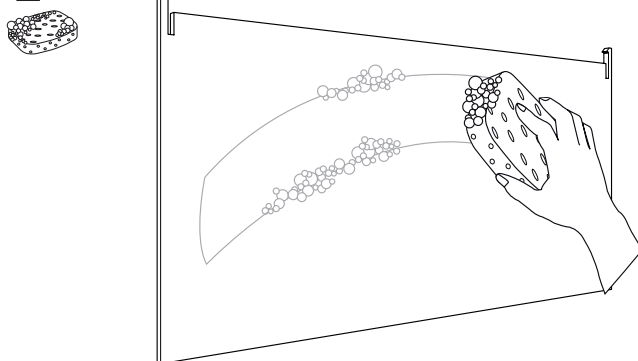
NexiTech LED / NexiLite IP65 Double Side



1



2

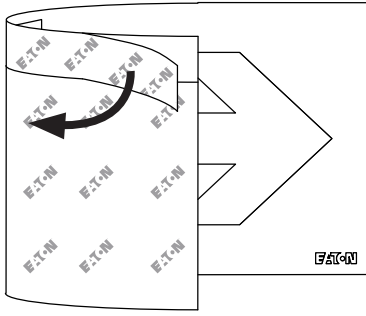


EATON

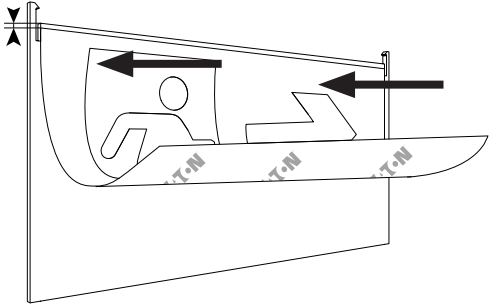
Powering Business Worldwide

3

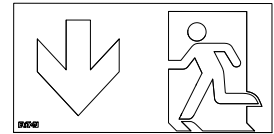
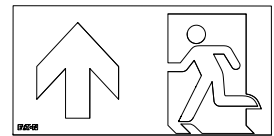
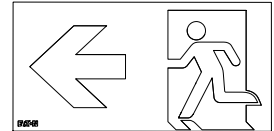
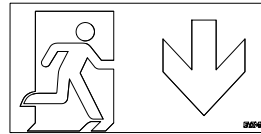
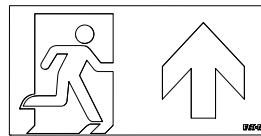
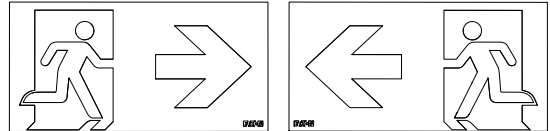
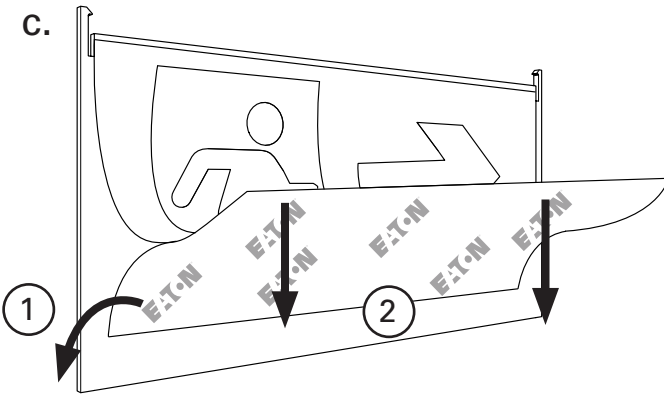
a.



b. 2 mm

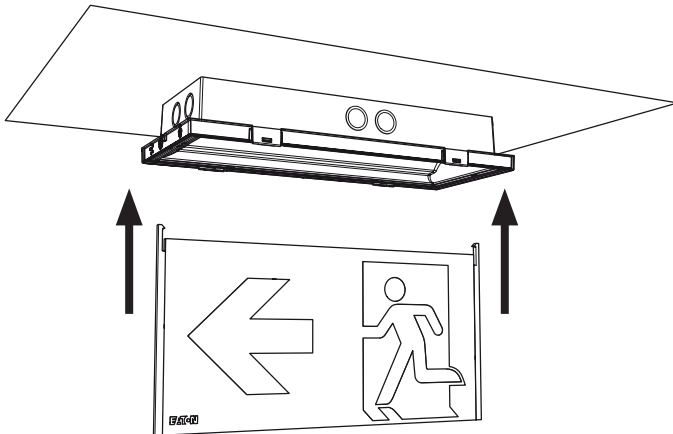


c.



4

a.



b.

