

Product End of Life Instructions

Exiway Line Controller

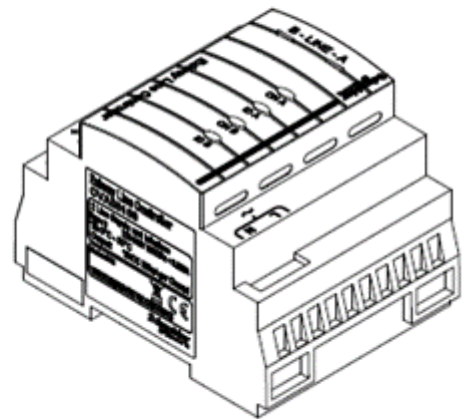
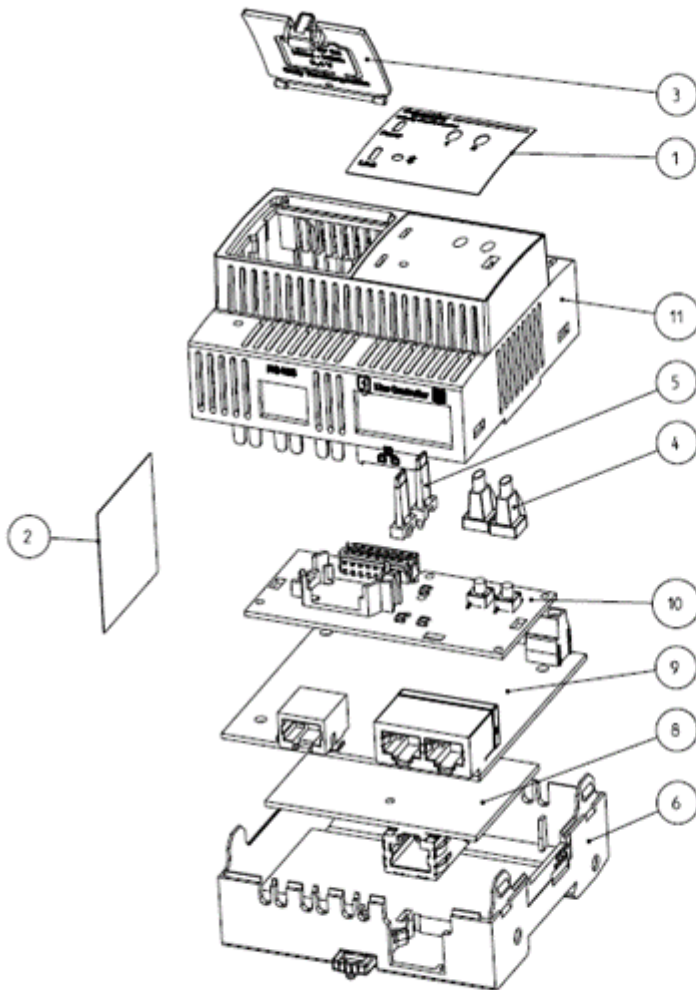




Potential disassembly risks



End of Life Instructions



ENVEOLI2302004_V1 - End of Life Instructions - Exiway Line Controller

Recommendation	Number on drawing	Component / Material	Weight (in g)	Comment
To be dismantled	1	PC (Coverage Front)	7	
To be dismantled	2	PC (Coverage Front)	10	
To be dismantled	3	PC (Coverage battery)	15	
To be depolluted	4	PA (Buttonx2)	12	
To be dismantled	5	Steel (Screwsx2)	14	
To be dismantled	6	PC (Base Line controller)	30	
To be dismantled	8	Support for Electronic component (Electronic cart)	6	
To be dismantled	9	Support for Electronic component (Electronic cart)	10	
To be depolluted	10	Electronic component (Electronic cart)	2x35	
To be depolluted	11	PC (Body)	70	



Product description

Manufacturer identification	Schneider Electric Industries SAS
Brand name	Schneider Electric
Product function	Line Controller for Exiway Smart Control Dicube
Product reference	OVA53168
Additional similar product references	OVA53168 OVA53167
Total representative product mass	250 g
Representative product dimensions	92 x 72 x 63 mm
Date of information release	05/2023



Additional information

Legal information	This product family is in the scope of European Union directive 2012/19/EU on Waste Electrical and Electronic Equipment (WEEE). The product family must be disposed according to the legislation of the country. This document is intended for use by end of life recyclers or treatment facilities. It provides the basic information to assure an appropriate end of life treatment for the components and materials of the product.	
Recyclability potential	76%	Recyclability rate has been calculated based on REEECY'LAB tool developed by Ecosystem, for components/materials not covered by the tool, data from the "ECO'DEEE recyclability and recoverability calculation method" was taken. If no data was found a conservative assumption was used (0% recyclability).

Schneider Electric Industries SAS

Country Customer Care Center
<http://www.schneider-electric.com/contact>

35, rue Joseph Monier

CS 30323

F- 92500 Rueil Malmaison Cedex

RCS Nanterre 954 503 439

Capital social 896 313 776 €

www.se.com

Published by Schneider Electric

ENVEOLI2302004_V1

© 2022 - Schneider Electric – All rights reserved

05/2023