

Presence detector, 230 V, master, 12 m, flat, for flush mounting, white

350-41600

4 year warranty

Flat presence or absence detector, 360°, 230 Vac, 1 channel (10 A) for flush-mounting in ceilings. Standalone or as master combinable with a maximum of 20 secondary detectors. It can be easily installed and mounted thanks to spring clips. The detector has a very flat design of only 5 mm, so that it can be mounted almost flush with the ceiling. For use in small rooms, offices, storage areas ... The detector is only suitable for the control of indoor lighting.

Depending on the chosen application:

- the lighting must always be switched on manually with a push button, the light is automatically switched off when there is sufficient daylight or no one is in the room (absence detector).
- the lighting is switched on automatically when movement is registered and when there is insufficient daylight. In this case, the lighting is also automatically switched off if there is sufficient daylight or no one is in the room (presence detector). The lighting remains on as long as the detector detects movement and the measured level of daylight is lower than the set value. When a push button is used, upon leaving the room the user can decide to switch off the light immediately (eco off) instead of waiting for the switch-off delay. The light remains switched off, even if movement is still detected in the room. After the set switch-off delay has elapsed, the detector resumes its normal operation. The switch-off delay, the lux value at which the lighting must switch on and the sensitivity of the detector are easily set with the IR remote control (optional).

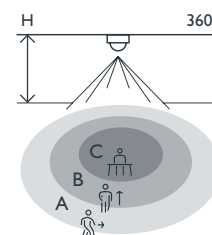
Finishing colour: white

Compatible secondary detectors: 350-41601



- Simple installation
- Easy to mount thanks to its spring clamps
- It can be integrated practically level on the ceiling thanks to its ultra-flat design of barely 5 mm.

Detection range



H	A Across	B Towards	C Presence
2.5 m	∅ 8 m	∅ 4 m	∅ 3 m
3 m	∅ 12 m	∅ 6 m	∅ 4 m



230 V



master



360°



∅ 12 m from
a height of
3 m



2.4 – 3 m



flush-
mounting

niko

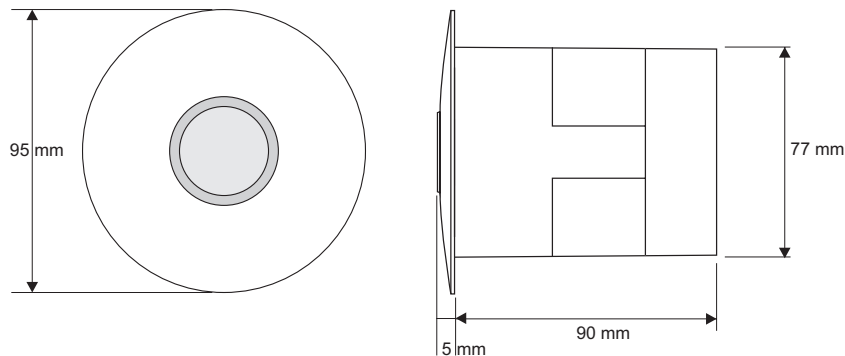
Technical data

Article number	350-41600
Compatible secondary detectors	350-41601
Input voltage	230 Vac \pm 10 %, 50 Hz
Detector output	230 V (ON/OFF)
Maximum MCB rating	10 A (limited by national installation rules)
Relay contact	N.O. (max. 10 A)
Maximum load incandescent and halogen lamps ($\cos\phi=1$)	2300 W
Maximum load economy lamps (CFLi)	350 W
Maximum load LED lamps 230 V	350 W
Maximum capacitive load	140 μ F
Maximum switching current	165 A/20 ms – 800 A/200 μ s
Light intensity range	100 lux – 1000 lux
Number of channels	1 channel
Switch-off delay	5 min – 1 h
Detection angle	360 °
Detection range (PIR)	\varnothing 12 m from a height of 3 m
Ambient temperature	-5 – +40 °C
Mounting method	flush-mounting
Mounting height	2.4 – 3 m
Drill diameter	77 mm
Dimensions visible (HxWxD)	95 x 95 x 5 mm
Dimensions (HxWxD)	95 x 95 x 95 mm
Protection degree	IP20
Marking	CE

Accessories

350-41936	Universal remote control for smartphone
350-41934	IR-remote control for installers

Dimensions



Wiring diagram

