



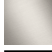




**CL.1 Single-lever bidet mixer without pop-up waste - Brushed Dark Platinum**

CL.1

33 600 705 Product version from 3/9/2015 to 5/15/2020

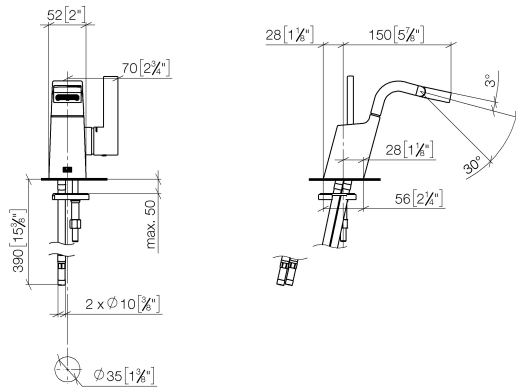


- 145mm projection
- pivotable spout 30°
- rectangular, air-enriched flow
- height of mixer 190 mm
- height up to aerator 113 mm
- hole diameter 35 mm
- 2x screw-in M 8 x 1 pressure hose, leak-tested
- max. flow 6 l/min
- WRAS

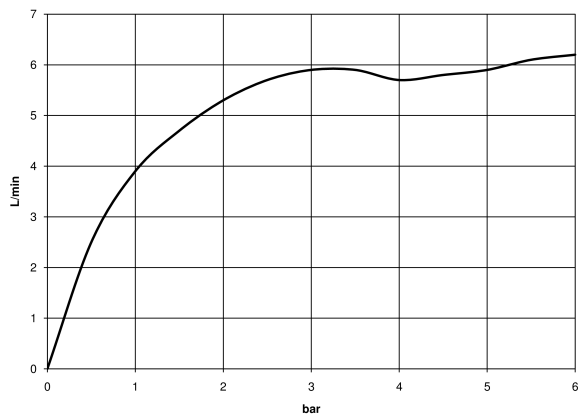
	Brushed Dark Platinum	33 600 705-99
	Chrome	33 600 705-00
	Brushed Platinum	33 600 705-06
	Dark Chrome	33 600 705-19
	Brushed Light Gold (PVD)	33 600 705-27
	Brushed Champagne (22kt Gold)	33 600 705-46
	Champagne (22kt Gold)	33 600 705-47

33 600 705 Product version from 3/9/2015 to 5/15/2020

mm [inches]



**Flow rate chart**



**Codes & Standards**

DIN 4109

ISO 3822

Scottish Water  
Byelaws

UK Water Supply  
Regulations

**Ü-Zeichen**



## CL.1 Single-lever bidet mixer without pop-up waste - Brushed Dark Platinum

CL.1

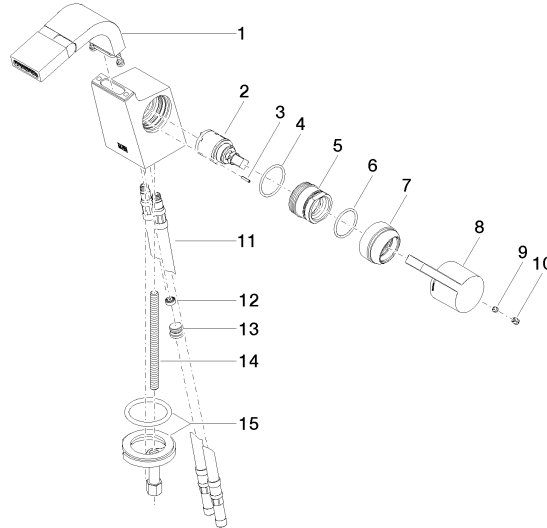
33 600 705 Product version from 3/9/2015 to 5/15/2020

### Certificates and sustainability

LGA_38	WRAS_240202	EPD-DOR-20230287 -IBA1-EN Environmental.prod uct-declarat
--------	-------------	--

33 600 705 Product version from 3/9/2015 to 5/15/2020

Parts for other finishes can be found here: [Chrome](#)



**Spare parts list**

No.	Item Number	Name	Quantity used	Delivery time
4	09 14 10 137 90	O-Ring EPDM 70 29,0 x 2,0 mm -	1.00	14
1	90 11 70 004 00-99	Spout Bidet 46 x 55 x 102 mm - Brushed Dark Platinum	1.00	40
14	09 31 11 012 90	Mounting Threaded bolt M8 x110 mm -	1.00	14
5	09 24 04 294 90	Mounting Nut Ø 33 x 26,5 mm -	1.00	14
15	04 30 11 038 75 90	Mounting with O-ring Ø36 x 4mm Ø 52 x 1,5 mm -	1.00	14
6	90 14 10 063 00 90	O-Ring EPDM 70 26,0 x 2,0 mm -	1.00	14
10	09 31 20 017 90	Plug Masking plug -	1.00	-
Spare part can no longer be ordered, please order the replacement item				
	09312010990	Plug -		
11	04 30 04 018 00 90	High pressure hose M8x1 x 420 mm -	2.00	-
Spare part can no longer be ordered, please order the replacement item				
	0430041000090	High pressure hose M8x1 x 3/8" x 420 mm -		
2	90 15 05 042 00 90	Cartridge Ø 25 x 52 mm -	1.00	14
9	90 31 11 030 00 90	Mounting Threaded pin with hexagon socket with cup point M5 x 5 mm -	1.00	14
3	09 31 11 152 90	Roll pin Lightweight type slotted Ø 2 x 10 mm -	1.00	14
8	09 20 67 010-99	Handle Lever 34 x 110 x 40 mm - Brushed Dark Platinum	1.00	40
7	09 28 30 029-99	Cover Ø 38 x 23 mm - Brushed Dark Platinum	1.00	40
12	09 23 01 034 90	Flow limiter white 4 l/min. -	1.00	14
13	04 31 20 039 11 90	Plug with O-ring M12 x 1 -	1.00	14