

**META Single-lever basin mixer with raised base without pop-up waste -  
Brushed Platinum**












META

33 534 661 Product version up to 1/23/2020



- 201mm projection
- pivotable spout 360°
- circular, air-enriched flow
- height of mixer 397 mm
- height up to aerator 299 mm
- hole diameter 35 mm
- 2x screw-in M 8 x 1 pressure hose, leak-tested
- max. flow 5.7 l/min
- lead-free
- This product can help a building meet the requirements of Green Building Rating Systems, e.g. LEED®, BREEAM®, DGNB
- WRAS

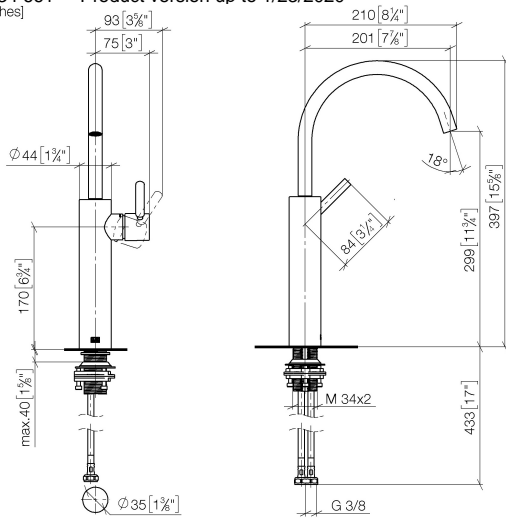
for use on bowl sink.

	Brushed Platinum	33 534 661-06
	Chrome	33 534 661-00
	Dark Chrome	33 534 661-19
	Light Gold (PVD)	33 534 661-26
	Brushed Light Gold (PVD)	33 534 661-27
	Matte Black	33 534 661-33
	Brushed Gold (PVD)	33 534 661-37
	Brushed Dark Brass (PVD)	33 534 661-39
	Brushed Bronze (PVD)	33 534 661-42
	Brushed Dark Bronze (PVD)	33 534 661-43
	Brushed Chrome	33 534 661-93
	Brushed Dark Platinum	33 534 661-99

**META Single-lever basin mixer with raised base without pop-up waste -  
Brushed Platinum**

META

33 534 661 Product version up to 1/23/2020  
mm [inches]



**Flow rate chart**



**Codes & Standards**

DIN 4109

EN 817

ISO 3822

Scottish Water  
Byelaws

UK Water Supply  
Regulations

Ü-Zeichen



META Single-lever basin mixer with raised base without pop-up waste -  
Brushed Platinum

META

---

33 534 661 Product version up to 1/23/2020

Certificates and sustainability

---

DVGW\_DW-  
6506DN0

LGA\_29

WRAS\_250502

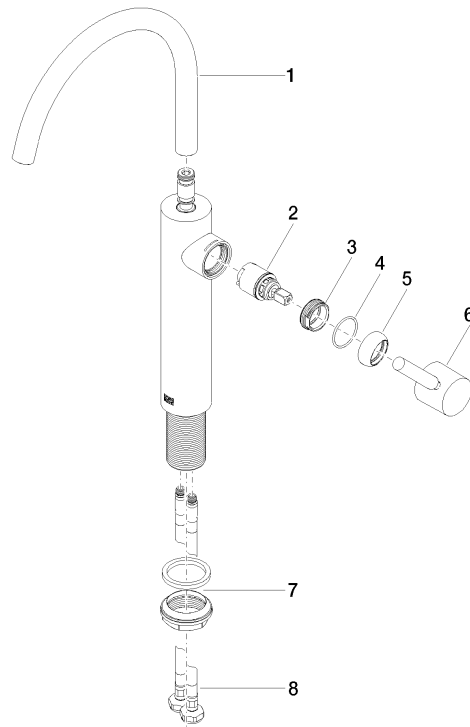
EPD-DOR-20230287  
-IBA1-EN  
Environmental.prod  
uct-declarat

**META Single-lever basin mixer with raised base without pop-up waste -  
Brushed Platinum**

META

33 534 661 Product version up to 1/23/2020

Parts for other  
finishes can be found  
here: [Chrome](#)



**Spare parts list**

No.	Item Number	Name	Quantity used	Delivery time
2	90 15 05 044 00 90	Cartridge Ø 25 x 51 mm -	1.00	14
8	04 30 04 101 00 90	High pressure hose M8x1 x 3/8" x 600 mm -	2.00	14
5	09 28 30 021-06	Cover Ø 32 x 11 mm - Brushed Platinum	1.00	20
7	04 23 10 044 07 90	Attachment set with seals M34 x 1 -	1.00	14
3	09 24 04 266 90	Mounting Ø 28 x 10,8 mm -	1.00	14
4	09 14 10 091 90	O-Ring NBR 70 26,5 x 1,72 mm -	1.00	14
1	90 28 22 313 00-06	Spout 200 mm, 5,68 l/min. - Brushed Platinum	1.00	20
6	90 20 66 003 00-06	Handle Lever for washstand deck mounting 52 x 35 x 117 mm - Brushed Platinum	1.00	20