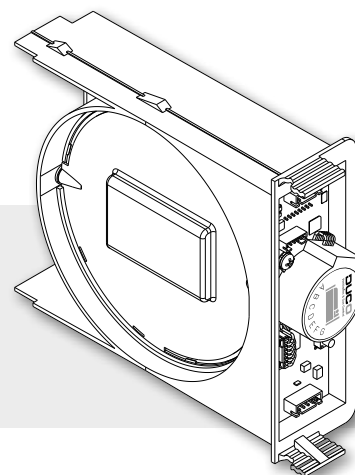


# TECHNICAL DATA SHEET

## Control valve DucoBox Focus



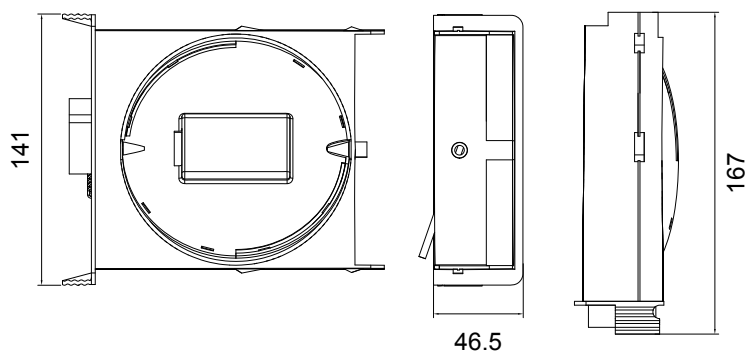
Optional component within Duco's demand-controlled ventilation systems. The control valves, whether or not operationally fitted with a sensor for measuring CO<sub>2</sub> and/or humidity, can be integrated into the DucoBox Focus.

### Physical characteristics

<b>Item number + colour</b>	4163: CO <sub>2</sub> Control valve (75m <sup>3</sup> /h) 4164: CO <sub>2</sub> Control valve (30m <sup>3</sup> /h) 4208: CO <sub>2</sub> Control valve (25m <sup>3</sup> /h) 4162: Humidity Control valve (50 m <sup>3</sup> /h) 4644: Humidity/CO <sub>2</sub> Control valve (50m <sup>3</sup> /h) 4165: Sensorless Control valve (25 m <sup>3</sup> /h)
<b>Width x Height x Depth (mm)</b>	141 x 167 x 46,5
<b>Weight</b>	220 g
<b>Material</b>	PP
<b>Colour</b>	White
<b>Push buttons</b>	1
<b>LEDs</b>	1
<b>Sensors</b>	Temperature (CO <sub>2</sub> , Humidity and Humidity/CO <sub>2</sub> Control valve only) CO <sub>2</sub> ( CO <sub>2</sub> and Humidity/CO <sub>2</sub> Control valve only) Relative humidity (Humidity and Humidity/CO <sub>2</sub> Control valve only)
<b>Suitable for use with</b>	DucoBox Focus

### Electrical characteristics

<b>Communication</b>	Wired
<b>Power supply</b>	12 VDC (powered via the DucoBox)
<b>Peak power</b>	2,0 W
<b>RH range</b>	0 - 100 % RH
<b>RH accuracy</b>	20-80%: +/-3% 0-20% / 80-100%: +/-5%
<b>CO<sub>2</sub> range</b>	300 - 2000 ppm
<b>CO<sub>2</sub> accuracy</b>	40 ppm +/- 5%



Reference:	0000-4163	0000-4164	0000-4208	0000-4162	0000-4644	0000-4165
<b>Label:</b>						
<b>Flow rate*:</b>	75m <sup>3</sup> /h	30m <sup>3</sup> /h	25m <sup>3</sup> /h	50m <sup>3</sup> /h	50m <sup>3</sup> /h	25m <sup>3</sup> /h
<b>Sensor:</b>	CO <sub>2</sub>	CO <sub>2</sub>	CO <sub>2</sub>	Humidity	Humidity + CO <sub>2</sub>	-
<b>Application:</b>	Kitchen	Bedroom	Toilet	Bathroom Laundry room Other wet room	Bathroom + toilet	Various applications

\* Flow rate can be adjusted via the display on the DucoBox Focus.