

33 500 782 Product version from 3/10/2014 to 3/19/2019

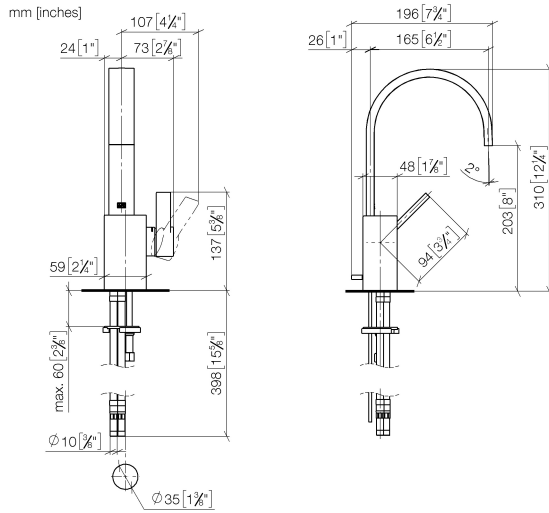


- 165mm projection
- fixed spout
- rectangular, air-enriched flow
- height of mixer 310 mm
- height up to aerator 202 mm
- hole diameter 35 mm
- 2x screw-in M 10 x 1 pressure hose, leak-tested
- max. flow 5.7 l/min
- lead-free
- WRAS
- This product can help a building meet the requirements of Green Building Rating Systems, e.g. LEED®, BREEAM®, DGNB

Only suitable for basins with an overflow.

	Brushed Dark Platinum	33 500 782-99
	Chrome	33 500 782-00
	Brushed Platinum	33 500 782-06
	Platinum	33 500 782-08
	Dark Chrome	33 500 782-19
	Brushed Light Gold (PVD)	33 500 782-27
	Brushed Durabronze (23kt Gold)	33 500 782-28
	Brushed Gold (PVD)	33 500 782-37
	Brushed Dark Brass (PVD)	33 500 782-39
	Brushed Bronze (PVD)	33 500 782-42
	Brushed Dark Bronze (PVD)	33 500 782-43
	Brushed Champagne (22kt Gold)	33 500 782-46
	Champagne (22kt Gold)	33 500 782-47

33 500 782 Product version from 3/10/2014 to 3/19/2019



Flow rate chart



Codes & Standards

DIN 4109	EN 817	Executive Order no. 1007	ISO 3822
Scottish Water Byelaws	UK Water Supply Regulations	Ü-Zeichen	VA-Zeichen



MEM Single-lever basin mixer with pop-up waste - Brushed Dark Platinum

MEM

33 500 782 Product version from 3/10/2014 to 3/19/2019

Certificates and sustainability

ETA_18

GDV_0400

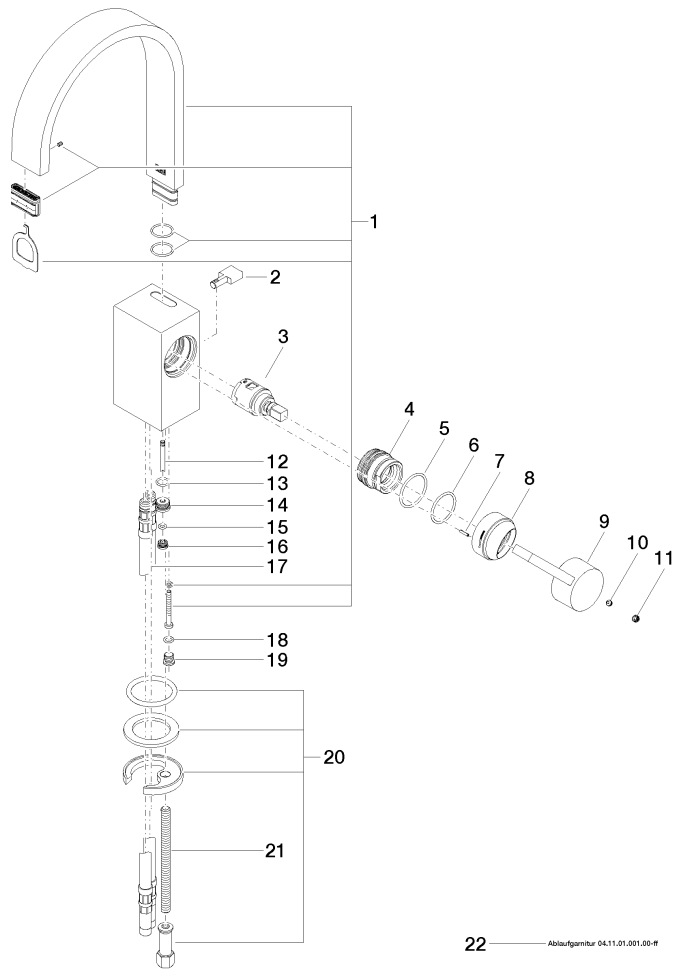
LGA_28

WRAS_240202

EPD-DOR-20230287
-IBA1-EN
Environmental.prod
uct-declarat

33 500 782 Product version from 3/10/2014 to 3/19/2019

Parts for other finishes can be found here: [Chrome](#)



Spare parts list

No.	Item Number	Name	Quantity used	Delivery time
	20 04 30 11 038 75 90	Mounting with O-ring Ø36 x 4mm Ø 52 x 1,5 mm -	1.00	14
	16 09 24 04 290 90	Nipple Ø 9 x 5 mm -	1.00	14
	6 90 14 10 063 00 90	O-Ring EPDM 70 26,0 x 2,0 mm -	1.00	14
	19 09 31 20 027 10-00	Plug M8 x 1 - Chrome	1.00	20
	15 09 14 10 166 90	O-Ring NBR 70 4,1 x 1,6 mm -	1.00	14
	4 09 24 04 288 90	Mounting Nut Ø 34 x 26,5 mm -	1.00	14
	22 90 11 01 001 00-99	Basin Waste - Brushed Dark Platinum	1.00	40
	18 09 14 10 132 90	O-Ring EPDM 70 6,0 x 1,5 mm -	1.00	14
	3 90 15 05 042 00 90	Cartridge Ø 25 x 52 mm -	1.00	14
	10 90 31 11 063 00 90	Mounting Threaded pin with hexagon socket with cup point M5 x 4 mm -	1.00	14
	13 09 14 10 042 90	O-Ring EPDM 70 9,0 x 1,5 mm -	1.00	14
	17 04 30 04 016 00 90	High pressure hose M10x1 x 420 mm -	2.00	-
Spare part can no longer be ordered, please order the replacement item				
0430041040090 High pressure hose M10x1 x 3/8" x 420 mm -				
	1 90 28 22 153 01-99	Spout 165 x 35 x 11 x 205 mm, 5,68l/min. - Brushed Dark Platinum	1.00	40
	8 09 28 30 028-99	Cover Ø 40 x 24 mm - Brushed Dark Platinum	1.00	40
	9 09 20 78 057-99	Handle Lever 24 x 41 x 96 mm - Brushed Dark Platinum	1.00	40
	7 09 31 11 152 90	Roll pin Lightweight type slotted Ø 2 x 10 mm -	1.00	14
	5 09 14 10 137 90	O-Ring EPDM 70 29,0 x 2,0 mm -	1.00	14
	11 90 31 20 109 00 90	Plug -	1.00	14
	12 09 31 09 080-99	Pull rod for pop-up waste Ø 4 x 400 mm - Brushed Dark Platinum	1.00	40
	21 09 31 11 012 90	Mounting Threaded bolt M8 x110 mm -	1.00	14
	14 09 24 04 289-99	Nipple Ø 13 x 7,5 mm - Brushed Dark Platinum	1.00	40
	2 09 20 78 032-99	Pull button 6 x 15 x 30 mm - Brushed Dark Platinum	1.00	40