

# Motion detector, 24 V, 8 m, with potential-free contact, for surface mounting, white

350-41549

4 year warranty

The motion detector has a limited diameter (80 mm) and thickness (3 cm) and an adjustable sensitivity (4 levels). For use in small offices, storage areas, corridors, conference rooms, ... The detector is suitable for the control of HVAC, ventilation, building management systems, Niko Home Control .. It is possible to set both the switch-off delay of the potential-free relay and the sensitivity of the detector on the device using the DIP switches.

Finishing colour: white

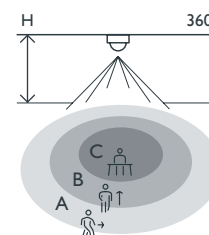
- Small diameter (80 mm) and limited thickness (3 cm)
- Adjustable sensitivity (four levels)
- Can be combined with Niko Home Control

For use in small offices, storerooms, corridors, meeting rooms, etc.

- The detector is suitable for the HVAC control, ventilation, building management systems, Niko Home Control, etc.
- The switch-off delay of the potential-free relay and the sensitivity of the detector can be set on the device using DIP switches.
- Connection possible to Niko Home Control via the potential-free digital sensor module (550-00210).



## Detection range



H	A Across	B Towards	C Presence
2.5 m	∅ 7 m	∅ 4 m	∅ 3.5 m
3 m	∅ 8 m	∅ 4.5 m	∅ 4 m
3.5 m	∅ 10 m	∅ 6 m	∅ 4 m
4 m	∅ 12 m	∅ 7 m	∅ 4 m

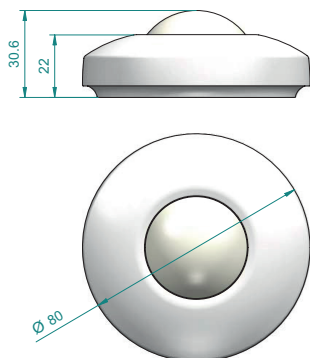


**niko**

## Technical data

Article number	350-41549
Input voltage	24 Vac/Vdc $\pm$ 10 %
Detector output	24 V (ON/OFF)
Relay contact	N.O. (max. 0.2 A), potential-free
Number of channels	1 channel
Switch-off delay	30 s – 1 h
Detection angle	360 °
Detection range (PIR)	$\varnothing$ 8 m from a height of 3 m
Ambient temperature	-5 – +50 °C
Mounting method	surface mounting
Mounting height	2.5 – 4 m
Dimensions (HxWxD)	80 x 80 x 30.6 mm
Protection degree	IP20
Marking	CE

## Dimensions



## Wiring diagram

