

36 120 660 Product version up to 2/20/2020



- automatic diverter
- cover plate Ø 150 mm
- WRAS

| | | |
|---|-------------------------------|---------------|
|  | Brushed Platinum | 36 120 660-06 |
|  | Chrome | 36 120 660-00 |
|  | Platinum | 36 120 660-08 |
|  | Dark Chrome | 36 120 660-19 |
|  | Light Gold (PVD) | 36 120 660-26 |
|  | Brushed Light Gold (PVD) | 36 120 660-27 |
|  | Brushed Durabrass (23kt Gold) | 36 120 660-28 |
|  | Matte Black | 36 120 660-33 |
|  | Brushed Gold (PVD) | 36 120 660-37 |
|  | Brushed Dark Brass (PVD) | 36 120 660-39 |
|  | Brushed Bronze (PVD) | 36 120 660-42 |
|  | Brushed Dark Bronze (PVD) | 36 120 660-43 |
|  | Brushed Champagne (22kt Gold) | 36 120 660-46 |
|  | Champagne (22kt Gold) | 36 120 660-47 |
|  | Brushed Chrome | 36 120 660-93 |
|  | Brushed Dark Platinum | 36 120 660-99 |

Required miscellaneous



Concealed single-lever mixer with backflow preventor - 35 021 970 90
 •min. recess depth 80 mm
 •max. recess depth 105 mm

Required miscellaneous



Concealed single-lever mixer - 35 020 970 90
 •min. recess depth 80 mm
 •max. recess depth 105 mm

Required miscellaneous



xGRID Installation track 555 mm - 12 360 970 90

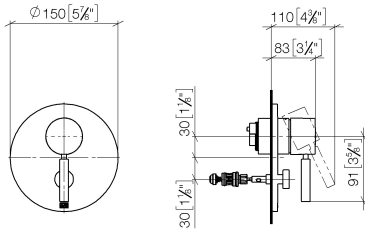
Recommended miscellaneous



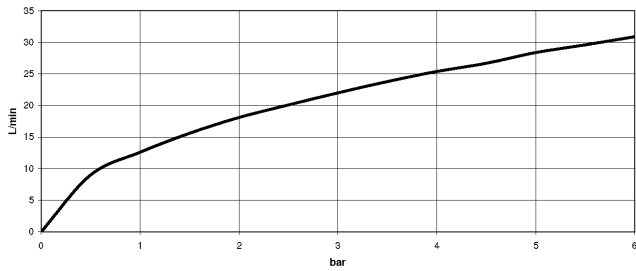
xGRID Attachment set for integrating in the dry wall construction - 12 340 970 90

36 120 660 Product version up to 2/20/2020

mm [inches]



Flow rate chart



Codes & Standards

DIN 4109

EN 817

ISO 3822

Scottish Water
Byelaws

UK Water Supply
Regulations

Ü-Zeichen



Concealed single-lever mixer with diverter - Brushed Platinum

SERIES SPECIFIC

36 120 660 Product version up to 2/20/2020

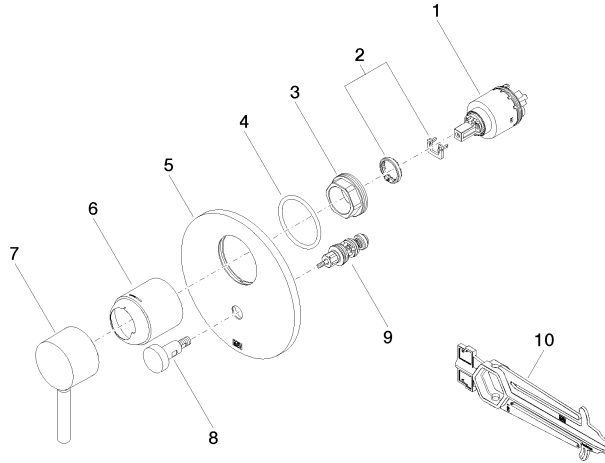
Certificates and sustainability

DVGW_DW-
6512DN0

LGA_19

WRAS_2207

EPD-DOR-20230287
-IBA1-EN
Environmental.prod
uct-declarat



Spare parts list

| No. | Item Number | Name | Quantity used | Delivery time |
|-----|--|--|---------------|---------------|
| | 2 04 28 10 149 00 90 | Single-lever mixer cartridge - | 1.00 | 14 |
| | 9 90 21 34 081 00 90 | Diverter 98 x 64 x 64 mm - | 1.00 | 14 |
| | 10 90 30 09 064 00 90 | Spanner for cartridge nut - | 1.00 | 14 |
| | 4 09 14 10 084 90 | O-Ring EPDM 70 48 x 3,5 mm - | 1.00 | 14 |
| | 1 90 15 05 038 00 90 | Single-lever mixer cartridge - | 1.00 | - |
| | Spare part can no longer be ordered, please order the replacement item | | | |
| | 9015050390090 | Cartridge blue Ø 40 x 75 mm - | | |
| | 3 09 24 04 448 90 | Mounting Nut Ø 42 x 17 mm - | 1.00 | 14 |
| | 5 09 11 02 261-06 | Rosette for bath Ø 150 x 9 mm - Brushed Platinum | 1.00 | 20 |
| | 8 90 31 09 139 00-06 | Pull rod for diverter with button Ø 26 x 47,3 mm - Brushed Platinum | 1.00 | 20 |
| | 6 09 11 02 260-06 | Cover Ø 50 x 58 mm - Brushed Platinum | 1.00 | 20 |
| | 7 90 20 66 004 00-06 | Handle for bath deck mounting Lever 52 x 35 x 117 mm - Brushed Platinum | 1.00 | 20 |