

33 505 661 Product version up to 1/23/2020

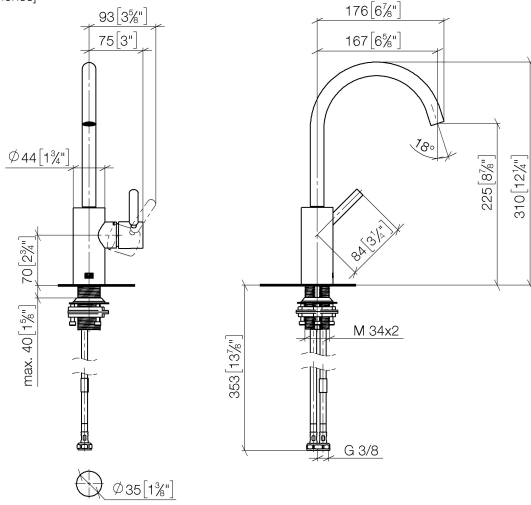


- 167mm projection
- pivotable spout 360°
- circular, air-enriched flow
- height of mixer 310 mm
- height up to aerator 225 mm
- hole diameter 35 mm
- 2x screw-in M 8 x 1 pressure hose, leak-tested
- max. flow 5.7 l/min
- lead-free
- This product can help a building meet the requirements of Green Building Rating Systems, e.g. LEED®, BREEAM®, DGNB
- WRAS

	Chrome	33 505 661-00
	Brushed Platinum	33 505 661-06
	Dark Chrome	33 505 661-19
	Light Gold (PVD)	33 505 661-26
	Brushed Light Gold (PVD)	33 505 661-27
	Matte Black	33 505 661-33
	Brushed Gold (PVD)	33 505 661-37
	Brushed Dark Brass (PVD)	33 505 661-39
	Brushed Bronze (PVD)	33 505 661-42
	Brushed Dark Bronze (PVD)	33 505 661-43
	Brushed Chrome	33 505 661-93
	Brushed Dark Platinum	33 505 661-99

33 505 661 Product version up to 1/23/2020

mm [inches]



Flow rate chart



Codes & Standards

DIN 4109

EN 817

ISO 3822

Scottish Water
Byelaws

UK Water Supply
Regulations

Ü-Zeichen



META Single-lever basin mixer without pop-up waste - Chrome

META

33 505 661 Product version up to 1/23/2020

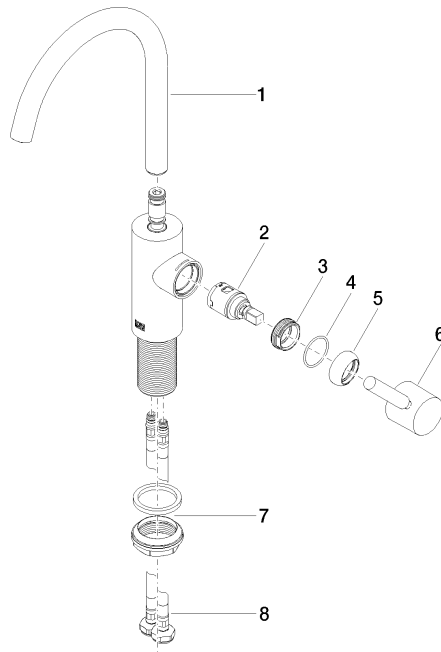
Certificates and sustainability

DVGW_DW-
6506DNO

LGA_29

WRAS_250502

EPD-DOR-20230287
-IBA1-EN
Environmental.prod
uct-declarat



Spare parts list

No.	Item Number	Name	Quantity used	Delivery time
1	90 28 22 320 00-00	Spout for washstand deck mounting 167 mm, 5,68 l/min. - Chrome	1.00	20
3	09 24 04 266 90	Mounting Ø 28 x 10,8 mm -	1.00	14
4	09 14 10 091 90	O-Ring NBR 70 26,5 x 1,72 mm -	1.00	14
6	90 20 66 003 00-00	Handle Lever for washstand deck mounting 52 x 35 x 117 mm - Chrome	1.00	20
7	04 23 10 044 07 90	Attachment set with seals M34 x 1 -	1.00	14
2	90 15 05 042 00 90	Cartridge Ø 25 x 52 mm -	1.00	14
5	09 28 30 021-00	Cover Ø 32 x 11 mm - Chrome	1.00	20
8	04 30 04 100 00 90	High pressure hose M8x1 x 3/8" x 420 mm -	2.00	14