

Product data sheet Spirotech

Product name

Primary vessel 125L for EMCC

Product properties

Expansion vessels with level measurement for MultiControl Cool EMCC series

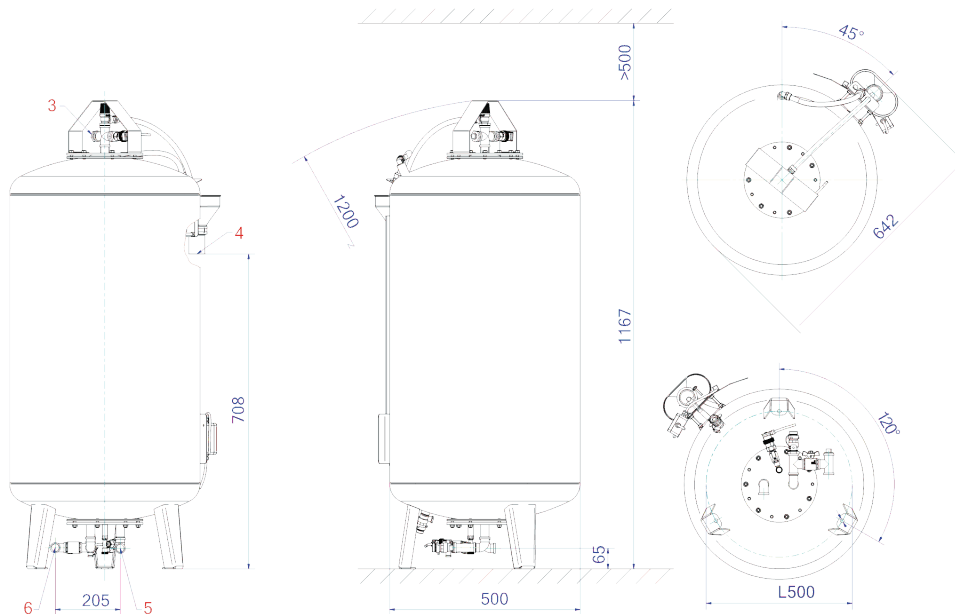
Article number

EMCC-G125

Product image



Product dimensions



Product data sheet Spirotech

ETIM product data

| | |
|---------------------------------|-------------|
| Height | 1167 mm |
| Volume | 125 l |
| Colour | Other |
| Diameter | 500 mm |
| Medium temperature (continuous) | -10 - 70 °C |
| Max. operating pressure | 0.5 bar |
| With pressure gauge | No |
| With exchangeable membrane | Yes |
| Horizontal positioning | No |
| Suitable for central heating | Yes |
| Vertical positioning | Yes |
| With legs | Yes |

| | |
|--------------------------------------|------------------------------------------------|
| Material membrane/bladder | Ethylene-propylene diene monomer rubber (EPDM) |
| Flange compression class | Other |
| With drain | Yes |
| Tilting height | 1200 mm |
| With safety valve | Yes |
| Max. glycol mixture | 60 % |
| Suitable for tap water | No |
| Max. ethanol mixture | 60 % |
| Suitable for solar collector circuit | Yes |
| Pre-pressure | 0 bar |
| With fixed wall support | No |
| Suitable for cooling | Yes |

Disclaimer

This product sheet has been compiled with the greatest possible care. Nevertheless, it may contain errors or omissions. For the most current and correct information we refer you to our website.

