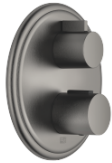


# MADISON Concealed thermostat with one function volume control - Brushed Dark Platinum

MADISON

36 425 977 Product version up to 8/24/2020



- cover plate Ø 175 mm
- temperature control handle with safety limit stop at 38°C
- hot water temperature limiter, can be preset
- WRAS

	Brushed Dark Platinum	36 425 977-99
	Chrome	36 425 977-00
	Brushed Platinum	36 425 977-06
	Platinum	36 425 977-08
	Durabass (23kt Gold)	36 425 977-09
	Brushed Durabass (23kt Gold)	36 425 977-28
	Brushed Gold (PVD)	36 425 977-37
	Brushed Dark Brass (PVD)	36 425 977-39
	Brushed Bronze (PVD)	36 425 977-42

## Required miscellaneous



**Concealed thermostat -** 35 425 970 90  
 • min. recess depth 80 mm  
 • max. recess depth 136 mm

## Required miscellaneous



**Concealed thermostat with built-in isolators -** 35 426 970 90  
 • min. recess depth 80 mm  
 • max. recess depth 136 mm

## Required miscellaneous



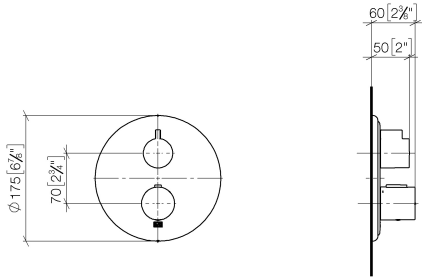
**xGRID Installation track 555 mm -** 12 360 970 90

## Recommended miscellaneous

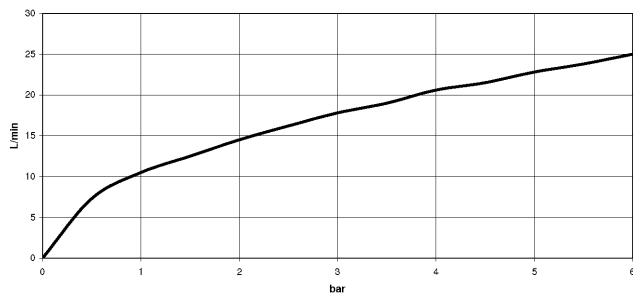


**xGRID Attachment set for integrating in the dry wall construction -** 12 340 970 90

36 425 977 Product version up to 8/24/2020  
mm [inches]



**Flow rate chart**



**Codes & Standards**

DIN 4109

EN 1111

ISO 3822

Scottish Water  
Byelaws

UK Water Supply  
Regulations

Ü-Zeichen

VA-Zeichen



MADISON Concealed thermostat with one function volume control - Brushed  
Dark Platinum

MADISON

---

36 425 977 Product version up to 8/24/2020

Certificates and sustainability

---

LGA\_19

ETA\_20

LGA\_19

DVGW\_DW-  
6512DN0

WRAS\_250402

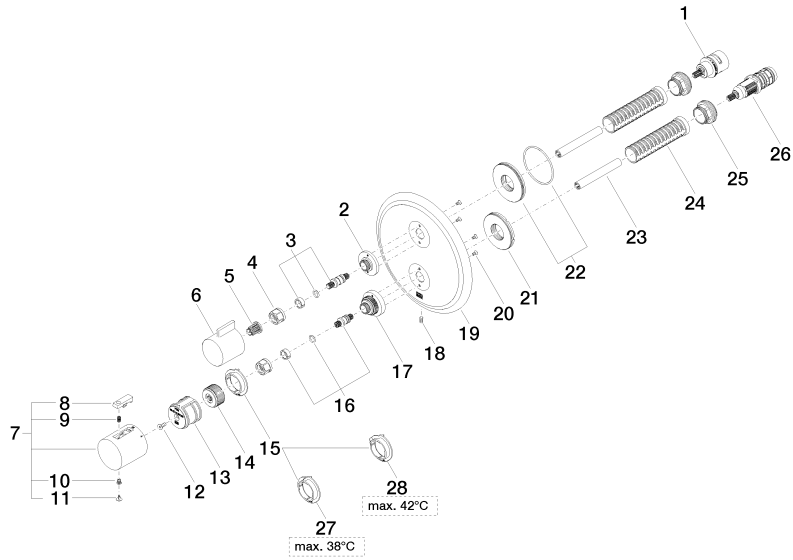
EPD-DOR-20230287

-IBA1-EN

Environmental.prod

uct-declarat

36 425 977 Product version up to 8/24/2020



# MADISON Concealed thermostat with one function volume control - Brushed Dark Platinum

MADISON

36 425 977 Product version up to 8/24/2020

## Spare parts list

No.	Item Number	Name	Quantity used	Delivery time
17	09 12 12 051-99	Fixing cap mount Ø 35 x 26,5 mm - Brushed Dark Platinum	1.00	40
23	90 23 01 124 00 90	Sleeve -	2.00	14
8	90 21 33 011 00-13	Repair kit for thermostat handle - black	1.00	14
16	04 29 06 024 01-00	Spindle with double toothing Ø 12,15 x 30 mm - Chrome	1.00	20
4	90 23 30 023 00 90	Cap nut -	2.00	14
27	09 28 10 188 90	Temperature limitation ring Thermostat, 38° stop -	1.00	14
5	90 12 12 002 00 90	Fixing cap white Ø 15 x 12 mm -	1.00	14
2	09 12 12 053-99	Fixing cap mount Ø 34,5 x 15 mm - Brushed Dark Platinum	1.00	40
15	09 28 10 187 90	Temperature limitation ring Thermostat -	1.00	14
20	09 30 30 157 90	Mounting Countersunk screw with hexagon socket M3 x 6 mm -	4.00	14
13	90 12 12 052 00 90	Retainer -	1.00	14
7	90 17 33 004 00-99	Handle for thermostat Ø 46 x 48 mm - Brushed Dark Platinum	1.00	-
Spare part can no longer be ordered, please order the replacement item				
	90173302000-99	Handle for thermostat Ø 46 x 48 mm - Brushed Dark Platinum		
9	90 16 02 027 00 90	Spring Ø 4,5 x 7,5 mm -	1.00	14
19	09 11 02 307-99	Rosette for thermostat 1-way Ø 175 x 11,5 mm - Brushed Dark Platinum	1.00	-
Spare part can no longer be ordered, please order the replacement item				
6	09 20 67 006-99	Handle for thermostat 41 x 40 x 53 mm - Brushed Dark Platinum	1.00	82
22	90 30 01 190 00 90	Connection Ø 55 x 9 mm -	1.00	14
28	09 28 10 189 90	Temperature limitation ring Thermostat, black -	1.00	14
11	90 31 20 049 00-13	Plug - black	1.00	40
10	90 30 30 136 00 90	Bolt -	1.00	14
24	90 18 40 077 01 90	Sleeve -	2.00	14
1	90 90 03 166 00 90	Head part Temperature maintenance head part Lifetime 90° Motion -	1.00	14
3	04 29 06 111 01-00	Spindle with double toothing Ø 12,15 x 37,2 mm - Chrome	1.00	20
14	09 12 12 054 90	Handle mount Ø 28,50 x 16 mm -	1.00	14
25	09 24 04 257 90	Mounting Nut Ø 32 x 19,5 mm -	2.00	14
18	09 31 11 134 90	Mounting Threaded pin with hexagon socket with point M4 x 10 mm -	1.00	14
21	09 30 01 296 90	Shaft M24x1 Ø52 external -	1.00	14
26	90 15 02 013 00 90	Thermostat cartridge Ø 27 x 82 mm, 16-18 l/min. -	1.00	14
12	90 30 30 124 00 90	Mounting Countersunk screw with hexagon socket M4 x 10 mm -	1.00	14