

Motion detector, 24 V, 15 m, 90°, with potential-free contact, for surface mounting, white

350-41279

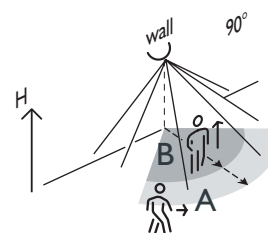
4 year warranty

90° motion detector, 24 V, with a potential-free contact for HVAC, Niko Home Control, for wall and ceiling mounting. It is durable, functional and compact. The motion detector has a built-in walking test and adjustable sensitivity (5 levels). Can be combined with Niko Home Control. For use in small offices, storage areas, corridors, conference rooms ... The motion detector is suitable for the control of HVAC, ventilation, building management systems, Niko Home Control ... The switch-off delay of the potential-free relay and the sensitivity of the detector can be set on the device. Also suitable for outdoor applications. In this case a protective cover (to be ordered separately) is used to make the motion detector splashproof (protection degree IP54). Finishing colour: white

- Sustainable
- Functional
- Compact
- With integrated walking test
- Adjustable sensitivity (five levels)
- Connection possible to Niko Home Control via the potential-free digital sensor module (550-00210).



Detection range



H	A	B
	Across	Towards
2 m	15 m	7.5 m



24V



90°



15 m from
a height of
2 m



2 m



surface
mounting

niko

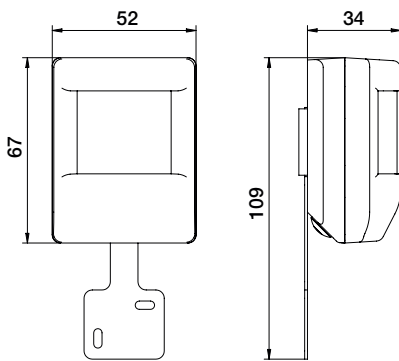
Technical data

Article number	350-41279
Input voltage	24 Vac/Vdc \pm 10 %
Detector output	24 V (ON/OFF)
Maximum current consumption	18 mA
Number of channels	1 channel
Switch-off delay	2 s – 30 min
Detection angle	90 °
Detection range (PIR)	15 m from a height of 2 m
Ambient temperature	-20 – +50 °C
Mounting method	surface mounting
Mounting height	2 m
Dimensions (HxWxD)	67 x 52 x 34 mm
Protection degree	IP20
Marking	CE

Accessories

390-20010	IP54 protection cap for motion detector
390-20000	Vandalproof protection cap, wall mounting

Dimensions



Wiring diagram

