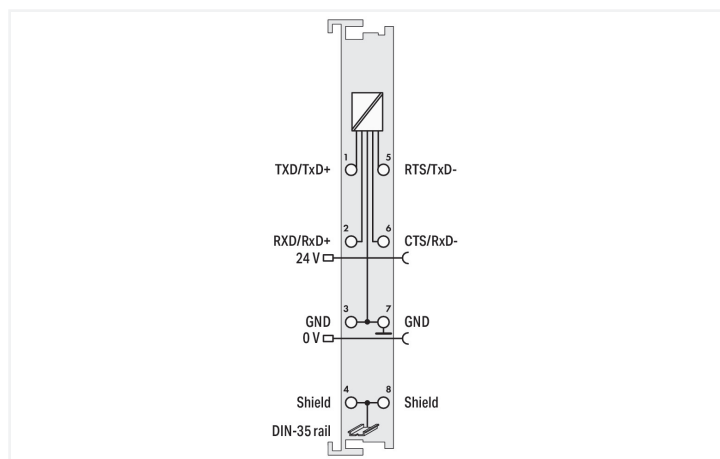
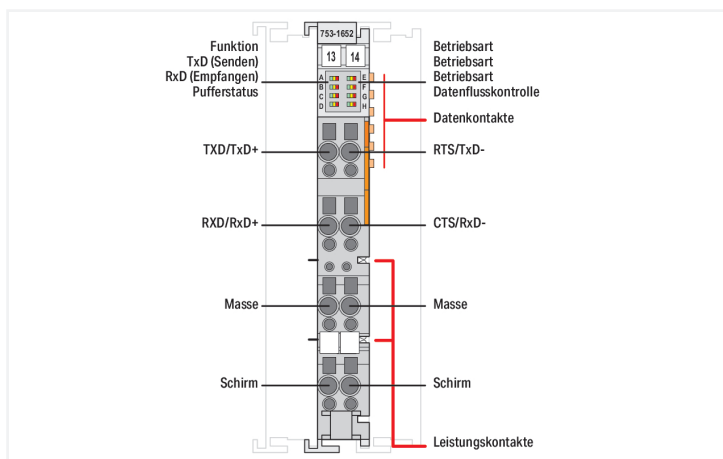


Similar to illustration



This serial interface module connects RS-485, RS-422 or RS-232 interface devices (optional) to the WAGO I/O System 750/753. It also allows gateways to be implemented between the fieldbuses supported by the WAGO I/O System 750/753 and a serial interface. No higher protocol level is required by the module. Communication to the associated fieldbus master is completely transparent, which provides a wide range of applications for the serial interface module. If required, communication protocols can be configured via fieldbus master. The 8192-byte input buffer provides high data baud rates. At lower baud rates, the data received in lower priority tasks is evaluated without data loss. The 2048-byte output buffer provides fast transmission of larger data strings. The module can be freely configured via *WAGO-I/O-CHECK*, *e!COCKPIT* or GSD files. Both flexible baud rate and data width selection perfectly adapt to the application. It is not suitable for applications under CODESYS 2.3. The module has a switchable terminating resistor for impedance matching. In addition, the module provides a two-stage switchable bias network for level adjustment of the receiver inputs. This eliminates the need for an external terminating resistor and, in many cases, for an external bias network.

Notes

Note	Pluggable connectors and coding fingers (753 Series) are not included.
------	--

Technical data

Signal type	RS-232 RS-422 / RS-485
Transmission rate	150 Bd ... 250 kBd
Bit transfer	RS-485/-422: ISO 8482 / DIN 66259 - 4; RS-232: EIA/TIA-232-F
Transmission channels	1 TxD / 1 RxD, full-duplex, half-duplex
Line length	RS-485/-422: approx. 1000 m (max.) twisted pair, RS-232: 40 m (max.)
Level adjustment	Bias network 1 approx. 620 Ω (switchable); bias network 2 approx. 1210 Ω (switchable)
Data width	Serial operating modes: 1 x 46/1 x 22/1 x 6-byte input/output (parameterizable), 2-byte control/status
Terminating resistor	Approx. 120 Ohm (switchable)
Parity	None/Odd/Even/Mark/Space
Number of data bits	7 ... 8, adjustable
Number of stop bits	1/2, adjustable
Buffer	8192-byte input / 2048-byte output
Supply voltage (system)	5 VDC; via data contacts
Current consumption (5 V system supply)	120 mA
Current consumption (note)	120 mA at RS-232, Xon/Xoff 115.2 kBaud; 90 mA at RS-485 full-duplex 115.2 kBaud
Supply voltage (field)	24 VDC; via power jumper contacts (power supply via blade contact; transmission (field side supply voltage only) via spring contact)
Isolation	500 V system/field
Indicators	LED (A-H) green/yellow/red: function, TxD (send), RxD (receive), buffer status, 3 x operating mode, data flow control
Number of incoming power jumper contacts	2
Number of outgoing power jumper contacts	2
Current carrying capacity (power jumper contacts)	10 A

Connection Data

Connection technology: I/O	8 x CAGE CLAMP®
Connectable conductor materials	Copper
Connection type	Inputs/outputs
Solid conductor	0.08 ... 2.5 mm ² / 28 ... 14 AWG
Fine-stranded conductor	0.08 ... 2.5 mm ² / 28 ... 14 AWG
Strip length	9 ... 10 mm / 0.35 ... 0.39 inches

Physical data

Width	12 mm / 0.472 inches
Height	100 mm / 3.937 inches
Depth	69 mm / 2.717 inches
Depth from upper-edge of DIN-rail	61.8 mm / 2.386 inches

Mechanical data

Mounting type	DIN-35 rail
Pluggable connector	pluggable

Material data

Housing material	Polycarbonate; polyamide 6.6
Fire load	0.585 MJ
Weight	45 g
Conformity marking	CE

Environmental requirements

Ambient temperature (operation)	0 ... +55 °C
Ambient temperature (storage)	-40 ... +85 °C
Protection type	IP20
Pollution degree	2 per IEC 61131-2
Operating altitude	0 ... 2000 m / 0 ... 6562 ft
Mounting position	Horizontal left, horizontal right, horizontal top, horizontal bottom, vertical top and vertical bottom
Relative humidity (without condensation)	95 %
Vibration resistance	4g per IEC 60068-2-6
Shock resistance	15g per IEC 60068-2-27
EMC immunity to interference	per EN 61000-6-1, -2; marine applications
EMC emission of interference	per EN 61000-6-3, -4; marine applications
Exposure to pollutants	per IEC 60068-2-42 and IEC 60068-2-43
Permissible H ₂ S contaminant concentration at a relative humidity 75 %	10 ppm
Permissible SO ₂ contaminant concentration at a relative humidity 75 %	25 ppm

Commercial data

PU (SPU)	1 pcs
Packaging type	Box
Country of origin	DE
GTIN	4066966371291
Customs tariff number	85389099990

Product Classification

UNSPSC	32101517
ETIM 9.0	EC001604
ETIM 10.0	EC001604
ECCN	NO US CLASSIFICATION

Environmental Product Compliance

CAS-No.	1303-86-2 1317-36-8 7439-92-1
REACH Candidate List Substance	Diboron trioxide Lead Lead monoxide
RoHS Compliance Status	Compliant,With Exemption
RoHS Exemption	7(c)-I
SCIP notification number (Austria)	882a6563-8982-4ea1-ab92-ba7757ffc872
SCIP notification number (Belgium)	9b02d0fa-fe9b-4728-a38e-0e6d50d04def
SCIP notification number (Bulgaria)	be131613-e79a-4a44-98b3-b9fe70d6ecdc
SCIP notification number (Czech Republic)	99db4c6d-bdd4-4ddf-a469-66640fcd5f46
SCIP notification number (Denmark)	629da6da-a5d8-4445-9fc2-8d379904db61

Environmental Product Compliance

SCIP notification number (Finland)	4fe9700b-d684-4c1c-892c-375247caef79
SCIP notification number (France)	f6995935-d325-4ea2-805e-bce356b82a62
SCIP notification number (Germany)	f6d1412b-a6ff-4b63-8a62-5d9abd043253
SCIP notification number (Hungary)	3feb767b-8b53-4779-a4a8-2dbe14add2f4
SCIP notification number (Italy)	2359fee9-e2eb-4eb5-b56c-1ee2a46c9cc8
SCIP notification number (Netherlands)	eb9e95e7-e308-4519-a079-759ceb120133
SCIP notification number (Poland)	126f323d-1bb6-451a-9f9e-cd4b7b6484e2
SCIP notification number (Romania)	7a138254-ce7a-4717-89a0-ffca9b517dfb
SCIP notification number (Sweden)	de2c8b9b-bf0d-40c6-ab94-a8ce59678268

Approvals / Certificates

General approvals



Approval	Standard	Certificate Name
EAC GZO Almaty Standart	TP TC 020/2011	EAC CoC 03083
KC National Radio Research Agency	-	MSIP-REM-W43-SIM750
UL Underwriters Laboratories Inc. (ORDINARY LOCATIONS)	-	E175199

Declarations of conformity and manufacturer's declarations

Approval	Standard	Certificate Name
EU-Declaration of Conformity WAGO GmbH & Co. KG	-	-
UK-Declaration of Conformity WAGO GmbH & Co. KG	-	-

Approvals for marine applications



Approval	Standard	Certificate Name
DNV DNV GL SE	DNV-CG-0339, Aug. 2021	TAA0000194
PRS Polski Rejestr Statków	-	TE/1101/880590/23

Approvals for hazardous areas



Approval	Standard	Certificate Name
ATEX TUEV Nord Cert GmbH	-	TUEV14ATEX148929X (II 3 G Ex ec IIC T4 Gc)
CCCEX CQST/CNEX	-	2020312310000213 (Ex ec IIC T4 Gc)
IECEx TUEV Nord Cert GmbH	-	IECEx TUN 14.0035 X (Ex ec IIC T4 Gc)
UL Underwriters Laboratories Inc. (HAZARDOUS LOCATIONS)	UL 121201	E198726

Downloads

Environmental Product Compliance

Compliance Search

Environmental Product
Compliance 753-1652



Documentation

Manual

Product manual Serial Interface RS-232/485	V 1.0.3 20.12.2023	pdf 6259.07 KB
---	-----------------------	-------------------

