

83 080 892 Product version from 4/1/2024



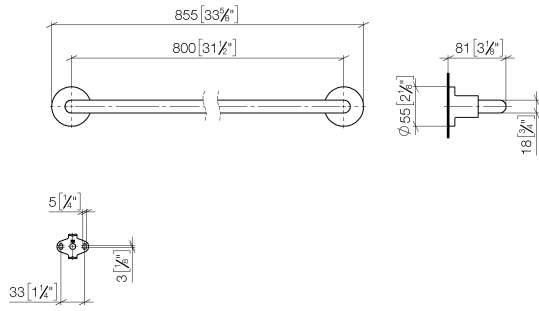
- gauge 800 mm
- width 855mm
- height 55 mm
- rosette Ø 55 mm
- 81mm projection

Fits TARA

	Matte Black	83 080 892-33
	Chrome	83 080 892-00
	Brushed Platinum	83 080 892-06
	Platinum	83 080 892-08
	Dark Chrome	83 080 892-19
	Brushed Durabronze (23kt Gold)	83 080 892-28
	Brushed Gold (PVD)	83 080 892-37
	Brushed Dark Brass (PVD)	83 080 892-39
	Brushed Bronze (PVD)	83 080 892-42
	Brushed Dark Bronze (PVD)	83 080 892-43
	Brushed Champagne (22kt Gold)	83 080 892-46
	Champagne (22kt Gold)	83 080 892-47
	Brushed Chrome	83 080 892-93
	Brushed Dark Platinum	83 080 892-99

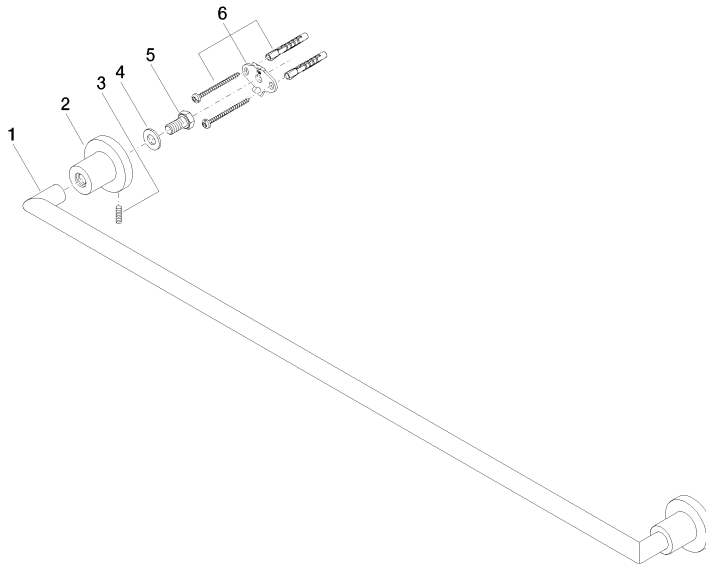
83 080 892 Product version from 4/1/2024

mm [inches]



83 080 892 Product version from 4/1/2024

Parts for other finishes can be found here: [Chrome](#)



### Spare parts list

No.	Item Number	Name	Quantity used	Delivery time
2	08 17 89 505-33	Holder universal 60 x 100 x 60 mm - Matte Black	2.00	40
4	09 30 11 046 90	Washer Ø 10,5 -	2.00	14
6	05 17 20 739 00 90	Attachment set 150 x 65 x 10 mm -	2.00	14
5	09 30 30 071 90	Mounting Hexagonal bolt with thread as far as head M10 x 20 mm -	2.00	14
1	05 28 22 590 00-33	Holder for towel rail and shower set 818 x 40 x 18 mm - Matte Black	1.00	40
3	04 31 11 113 00 90	Mounting Threaded pin M5 x 12 mm -	2.00	14