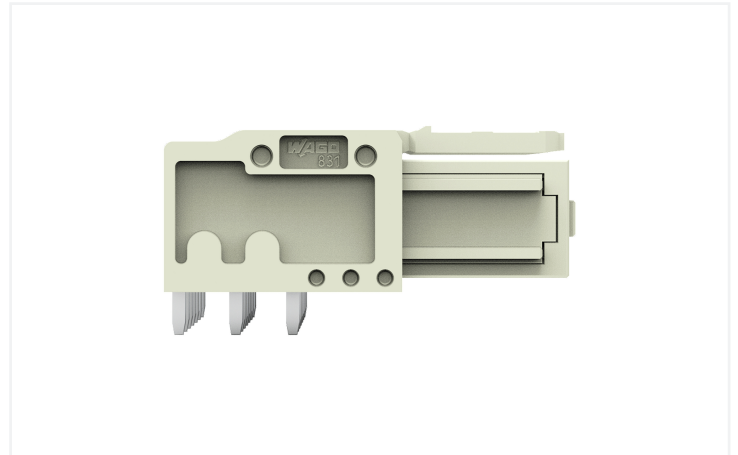


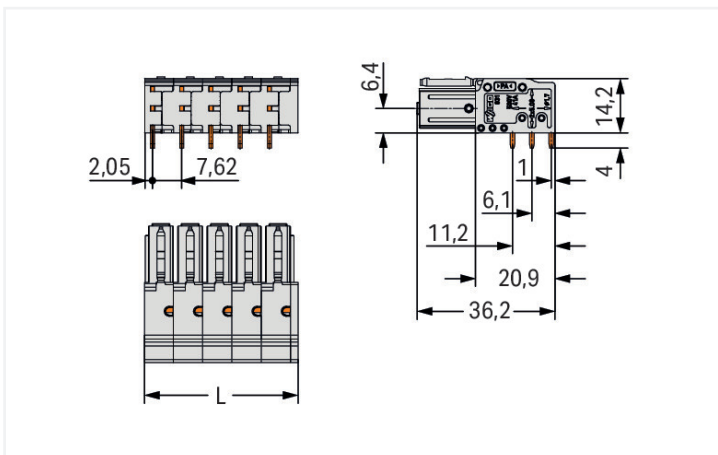
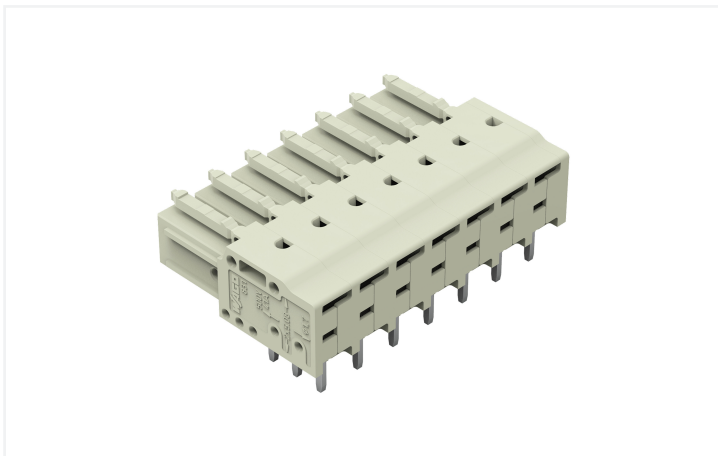
# Data Sheet | Item Number: 831-3527

THT female header; angled; Pin spacing 7.62 mm; 7-pole; 100% protected against mismatching; 1.0 x 1.2 mm solder pin; light gray

<https://www.wago.com/831-3527>



Color: ■ light gray



Dimensions in mm  
L = (pole no. x pin spacing) + 1.9 mm

Female connector, 831 Series, with 7.62 mm pin spacing

Our female connector (item number 831-3527) is designed for seamless electrical installations. The dimensions are (55.2 x 18.2 x 36.2) mm (width x height x depth).

The contact surface is coated with tin. THT is used to assemble the pcb connector.

## Notes

### Safety Information

The MCS – *MULTI CONNECTION SYSTEM* includes connectors without breaking capacity in accordance with DIN EN 61984. When used as intended, these connectors must not be connected/disconnected when live or under load. When used as intended, these connectors must not be connected/disconnected when live or under load. The circuit design should ensure header pins, which can be touched, are not live when unmated.

## Electrical data

Ratings per	IEC/EN 60664-1		
	III	III	II
Overvoltage category	III	III	II
Pollution degree	3	2	2
Nominal voltage	500 V	630 V	1000 V
Rated impulse withstand voltage	6 kV	6 kV	6 kV
Rated current	41 A	41 A	41 A

## Connection Data

Clamping units	7
Total number of potentials	7
Number of connection types	1

### Connection 1

Pole number	7
-------------	---

## Physical data

Pin spacing	7.62 mm / 0.3 inches
Width	55.2 mm / 2.175 inches
Height	18.2 mm / 0.717 inches
Height from the surface	14.2 mm / 0.559 inches
Depth	36.2 mm / 1.425 inches
Solder pin length	4 mm
Solder pin dimensions	1 x 1.2 mm
Drilled hole diameter with tolerance	1.7 <sup>(+0.1)</sup> mm

## Mechanical data

Variable coding	Yes
Anti-rotation protection	Yes

## Plug-in connection

Connector (connection type)	for PCB
Mismating protection	Yes
Mating direction to the PCB	0°

### PCB contact

PCB contact	THT
Solder pin arrangement	over the entire female connector (in-line)

### Material data

Note (material data)	<a href="#">Information on material specifications can be found here</a>
Color	light gray
Material group	I
Insulation material (main housing)	Polyamide (PA66)
Flammability class per UL94	V0
Contact material	Electrolytic copper (E <sub>Cu</sub> )
Contact Plating	Tin
Fire load	0.397 MJ
Weight	36.8 g

### Environmental requirements

Limit temperature range	-60 ... +105 °C
Processing temperature	-35 ... +60 °C

### Commercial data

PU (SPU)	12 pcs
Packaging type	Box
Country of origin	PL
GTIN	4066966087055
Customs tariff number	85366990990

### Product Classification

UNSPSC	39121409
ETIM 9.0	EC002637
ETIM 10.0	EC002637
ECCN	NO US CLASSIFICATION

### Environmental Product Compliance

RoHS Compliance Status	Compliant, No Exemption
------------------------	-------------------------

### Approvals / Certificates

#### General approvals



Approval	Standard	Certificate Name
CSA DEKRA Certification B.V.	C22.2	1466354
UL Underwriters Laboratories Inc.	UL 1059	UL-US-2426356-0

## Downloads

### Environmental Product Compliance

#### Compliance Search

Environmental Product  
Compliance 831-3527



## Documentation

### Additional Information

Technical Section

03.04.2019

pdf

2027.26 KB



## CAD/CAE-Data

### CAD data

2D/3D Models  
831-3527



### CAE data

ZUKEN Portal  
831-3527

