

# Presence detector P34MR, KNX, 9-10 m, 360°, 105 mm diameter, for flush-mounting box

350-34902

4 year warranty

This flat lens presence detector with 5 channels is suitable for KNX systems. It can be installed in a flush-mounting box. A black deco ring can be ordered separately. In conformity with the European directive for EMC and safety EN 60669-2-1.

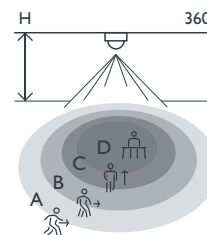
Finishing colour: white

Compatible secondary detectors: 350-34902



- High performing flat lens
- Plug-in terminals for fast installation
- Easy configuration (well-structured ETS file)
- 5 channels
- Various applications: presence, lux, constant light switch, HVAC, alarm
- Flat design, available in white and black finish (exchangeable deco ring)
- Protection degree: IP40 (Flush-mounting box) / IP44 (spring clips)
- For flush mounting or flush-mounting box, surface mounting via accessory

## Detection range



H	A Walking	B Across	C Towards	D Presence
2.5 m	∅ 9 m	∅ 6 m	∅ 3 m	∅ 5 m
3.0 m	∅ 10 m	∅ 6 m	∅ 3 m	∅ 3 m

Measured according to EN/IEC61180



KNX



master/  
secondary



360°



∅ 10 m from  
a height of  
3 m



2 – 4 m



flush-  
mounting  
box

**niko**

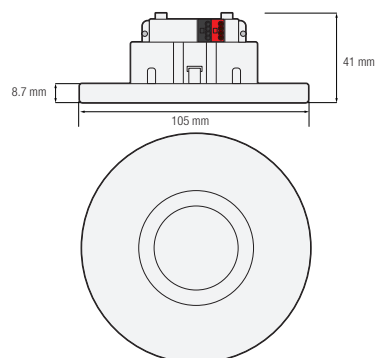
## Technical data

Article number	350-34902
Compatible secondary detectors	350-34902
Configuration	master/secondary
Input voltage	30 Vdc via KNX-bus
Detector output	KNX
Maximum power consumption	0.3 W
Maximum current consumption	10 mA
Light intensity range	10 lux – 2000 lux
Number of channels	5 channels
Switch-off delay	1 s – 18 h
Detection angle	360 °
Detection range (PIR)	ø 10 m from a height of 3 m
Ambient temperature	-20 – +50 °C
Mounting method	flush-mounting box
Mounting height	2 – 4 m
Minimum flush-mounting depth	33 mm
Colour	white (approximately RAL 9010)
Dimensions visible (HxWxD)	105 x 105 x 8.7 mm
Dimensions (HxWxD)	105 x 105 x 41 mm
Wire capacity	– ø 0.8 mm
Protection degree	IP40
Impact resistance	IK02
Modification of settings	ETS software

## Accessories

390-34912 Deco ring for P34MR detector, 105 mm diameter, black

## Dimensions



## Wiring diagram

